

Compensated High Current Choke, 3-phase



See below:

Approvals and Compliances

Description

- Current compensated choke
- 3-phase choke
- THT-terminals
- Flange for mounting onto printed circuit board
- Other versions on request: | -4 wire versions | -Customer specific pin outs

Unique Selling Proposition

- Compact size and light weight
- Open design optimizes heat dissipation
- Nanocrystalline (NK) or ferrite ring cores
- Customer specific pin outs available

Applications

- Frequency converter
- Charge stations
- UPS-systems
- Switching power supplies

References

Substitute for type [DKIL-3](#)

Weblinks

[pdf data sheet](#), [html datasheet](#), [General Product Information](#), [Approvals](#), [Distributor-Stock-Check](#), [Detailed request for product](#), [SPICE Library](#), [Landing Page](#)

Technical Data

Rated voltage	max 600VAC	Test Voltage	3740VDC, 2 sec, winding to winding
Rated Current	10 - 50A @ Ta 40 °C	Climatic Category	40/100/21 acc. to IEC 60068-1
Rated inductance	0.08 - 10.8mH, Tol. -30% +50%	Allowable Operation Temp.	-40°C to 100°C
Power Operating Frequency	0 - 400Hz		
Terminal Type	THT		
Weight	90 - 160g		
Material	UL 94V-0		

Approvals and Compliances

Detailed information on product approvals, code requirements, usage instructions and detailed test conditions can be looked up in [Details about Approvals](#)

SCHURTER products are designed for use in industrial environments. They have approvals from independent testing bodies according to national and international standards. Products with specific characteristics and requirements such as required in the automotive sector according to IATF 16949, medical technology according to ISO 13485 or in the aerospace industry can be offered exclusively with customer-specific, individual agreements by SCHURTER.






Application standards

Application standards where the product can be used

Organization	Design	Standard	Description
	Suitable for applications acc.	IEC/UL 62368-1	Audio/video, information and communication technology equipment - Part 1: Safety requirements

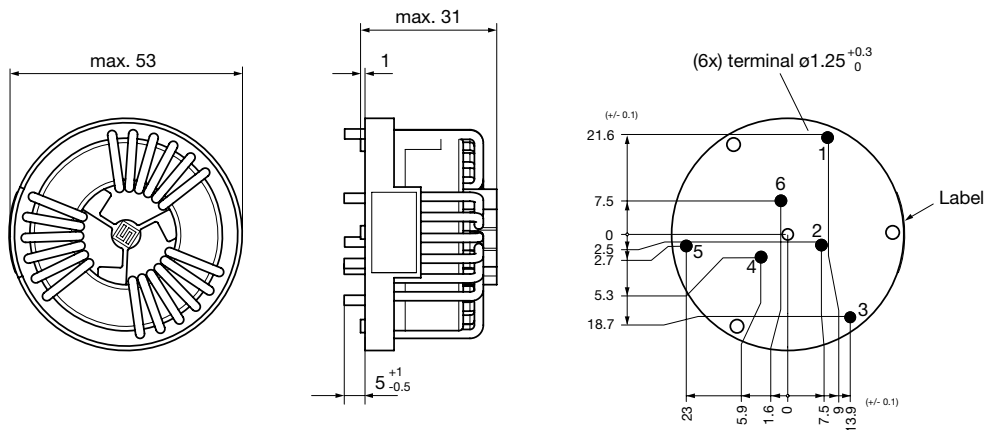
Compliances

The product complies with following Guide Lines

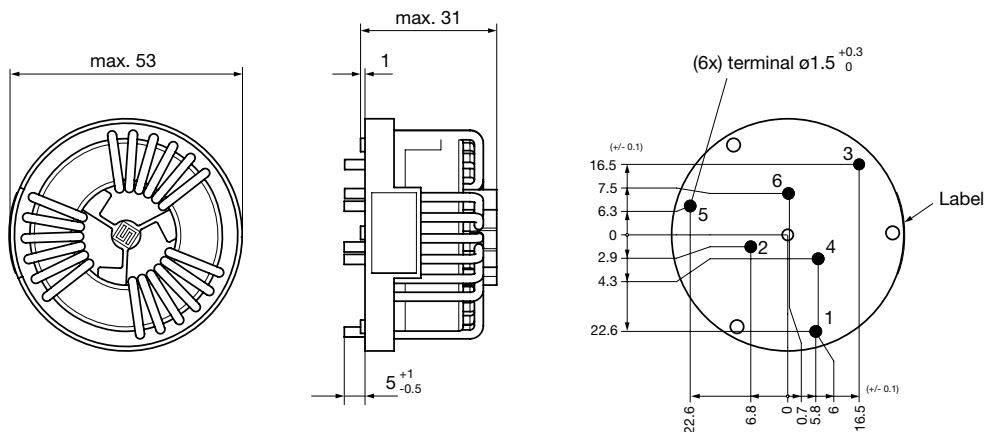
Identification	Details	Initiator	Description
	CE declaration of conformity	SCHURTER AG	The CE marking declares that the product complies with the applicable requirements laid down in the harmonisation of Community legislation on its affixing in accordance with EU Regulation 765/2008.
	UKCA declaration of conformity	SCHURTER AG	The UKCA marking declares that the product complies with the applicable requirements laid down in the British Amendment of Regulation (EC) 765/2008.
	RoHS	SCHURTER AG	Directive RoHS 2011/65/EU, Amendment (EU) 2015/863
	China RoHS	SCHURTER AG	The law SJ / T 11363-2006 (China RoHS) has been in force since 1 March 2007. It is similar to the EU directive RoHS.
	REACH	SCHURTER AG	On 1 June 2007, Regulation (EC) No 1907/2006 on the Registration, Evaluation, Authorization and Restriction of Chemicals 1 (abbreviated as "REACH") entered into force.

Dimension [mm]

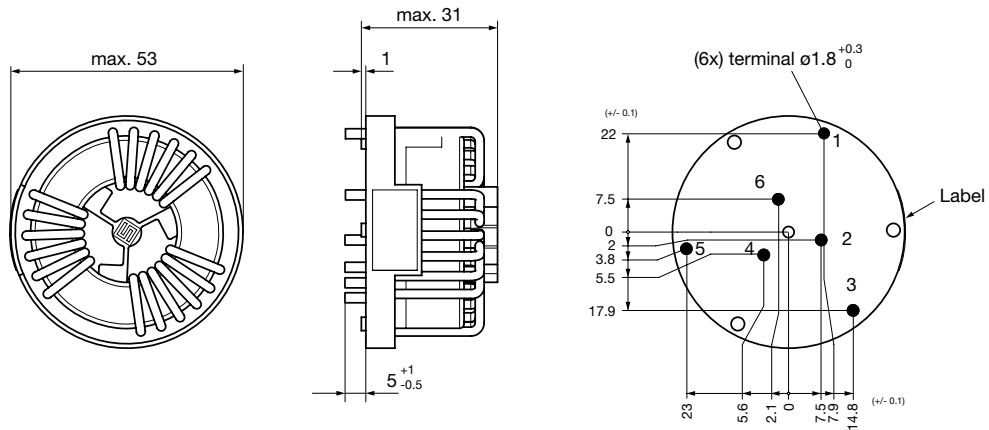
52-10



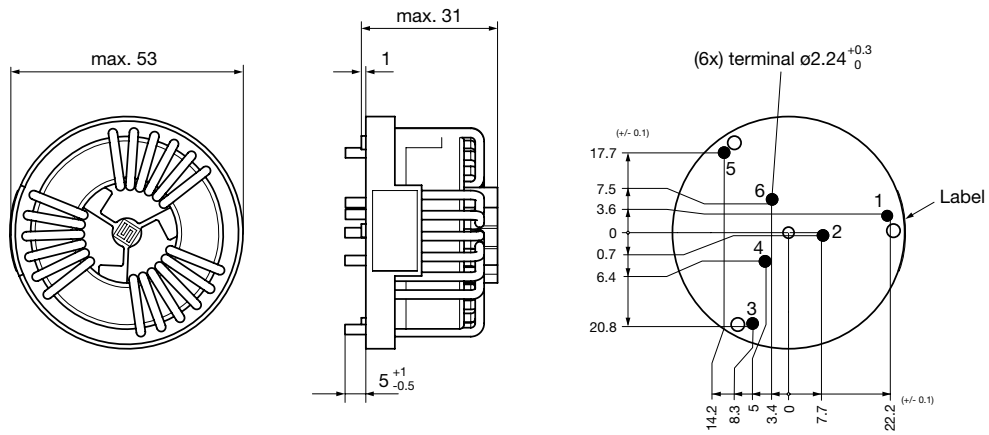
52-12



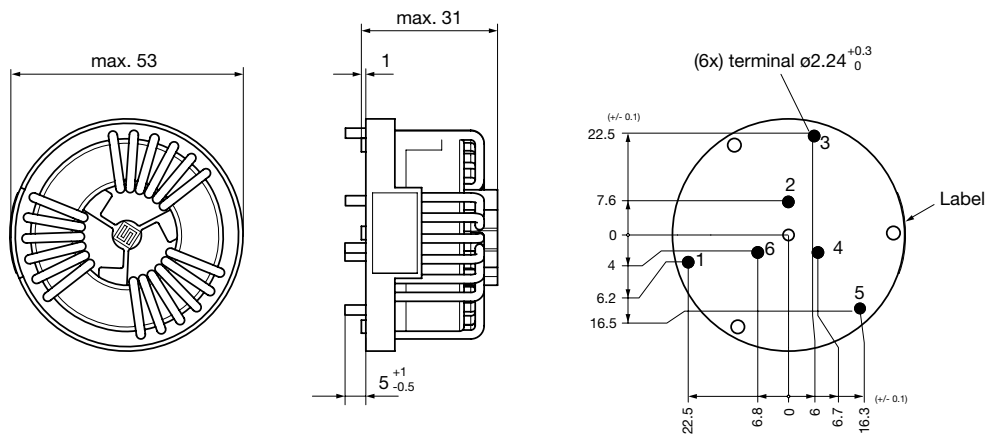
52-16



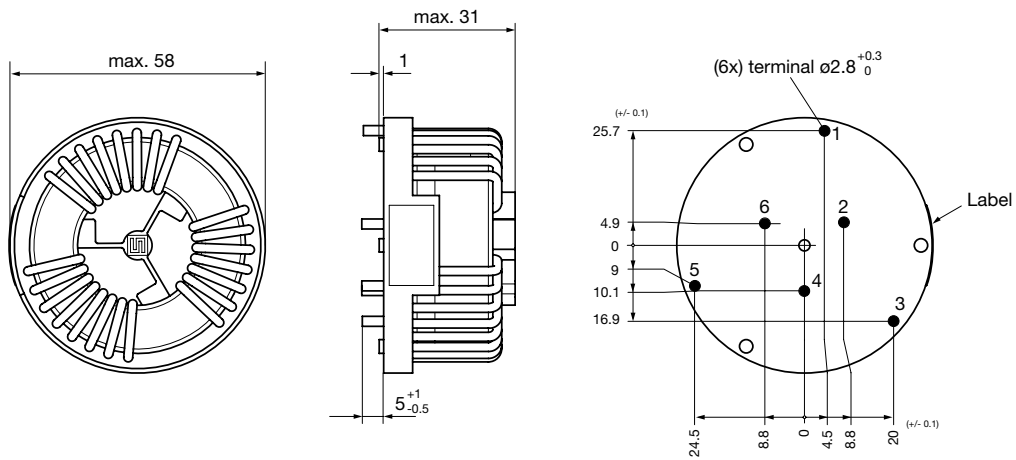
52-20



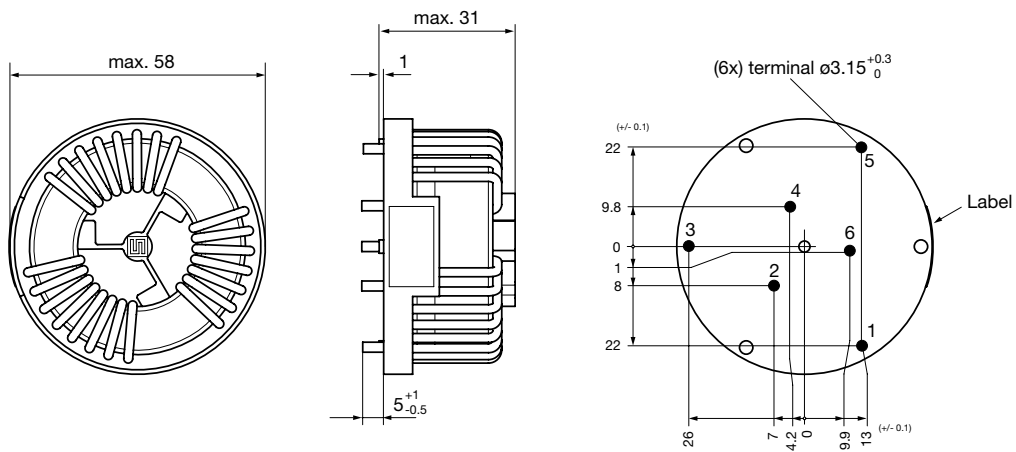
52-25



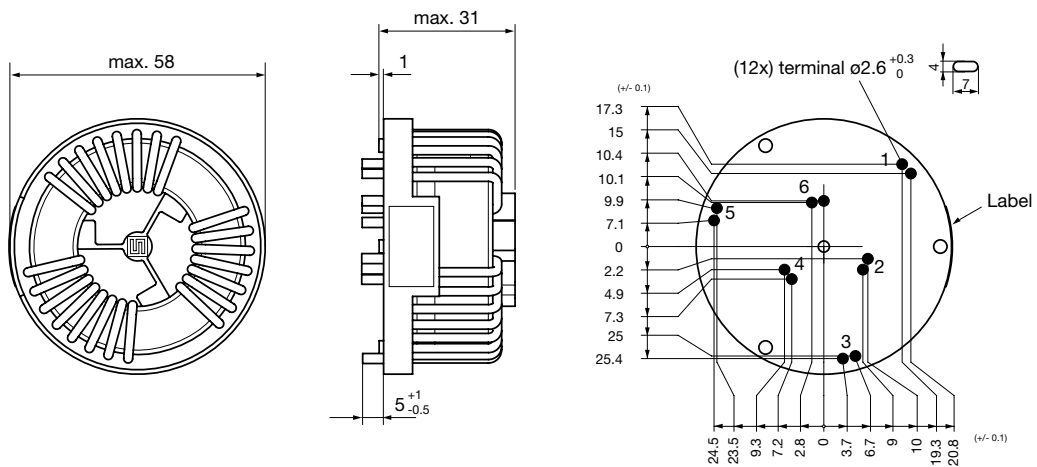
58-32



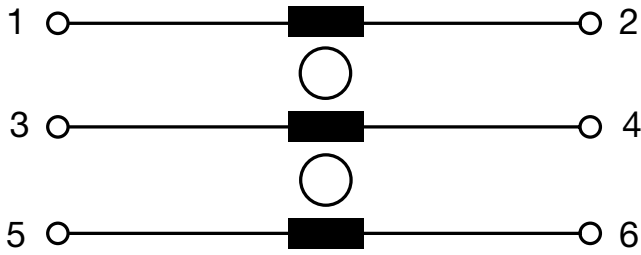
58-40



58-50



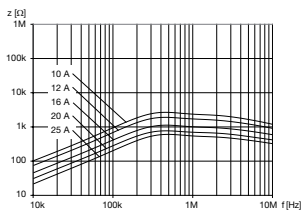
Diagrams



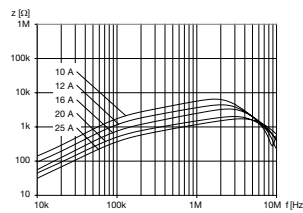
3 phases

Impedance curves

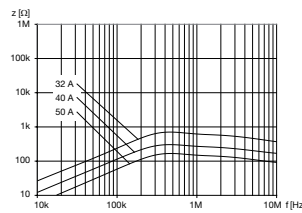
DKIH-3352-xxxx



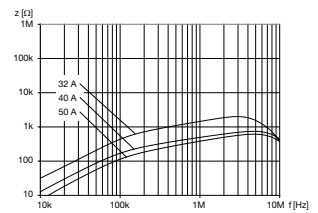
DKIH-3352-xxxx-NK



DKIH-3358-xxxx



DKIH-3358-xxxx-NK



Variants

I_n [A]	L_n [mH]	R_{Cu} [mΩ]	Power Dissipation [W]	f_{RES} [MHz]	Copper ϕ [mm]	Weight [g]	Housing	Packing unit [pcs.]	Order Number
10	1.1	7.5	2.3	0.5	1.25	90 g	52-10	20	DKIH-3352-102J
10	10.8	7.5	2.3	1.5	1.25	90 g	52-10	20	DKIH-3352-1011-NK
12	0.75	4.5	1.9	0.5	1.5	90 g	52-12	20	DKIH-3352-12D8
12	7.2	4.5	1.9	2	1.5	90 g	52-12	20	DKIH-3352-1200-NK
16	0.46	3	2.3	0.5	1.8	90 g	52-16	20	DKIH-3352-16D5
16	4.4	3	2.3	2.5	1.8	90 g	52-16	20	DKIH-3352-162N-NK
20	0.35	1.5	1.8	0.5	2.24	105 g	52-20	20	DKIH-3352-20D4
20	3.1	1.5	1.8	3	2.24	105 g	52-20	20	DKIH-3352-204L-NK
25	0.24	1.2	2.3	0.5	2.24	100 g	52-25	20	DKIH-3352-25D3
25	2.2	1.2	2.3	3.5	2.24	100 g	52-25	20	DKIH-3352-254K-NK
32	0.33	1.1	3.4	0.4	2.8	155 g	58-32	20	DKIH-3358-32D3
32	2.6	1.1	3.4	3	2.8	155 g	58-32	20	DKIH-3358-326K-NK
40	0.15	0.6	2.9	0.4	3.15	145 g	58-40	20	DKIH-3358-40D2
40	1.1	0.6	2.9	5	3.15	145 g	58-40	20	DKIH-3358-401J-NK
50	0.08	0.4	3	0.4	2 x 2.5	160 g	58-50	20	DKIH-3358-50C8
50	0.7	0.4	3	5	2 x 2.5	160 g	58-50	20	DKIH-3358-50D7-NK

Availability for all products can be searched real-time: <https://www.schurter.com/en/info-center/support-tools/stock-check-distributors>

Accessories

Description



EVB
 Evaluation Board for DKIH-1 DKIH-3 and DKIH-1