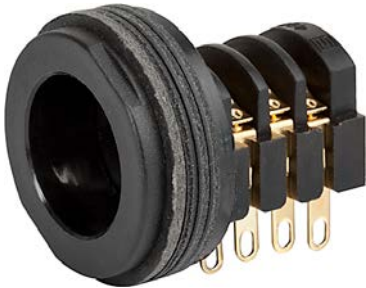


Socket, solder terminal, insulated, 7.5 mm, 4-pole, straight, UK-Connector



See below:

Approvals and Compliances

Description

- Solder :
Screw-on mounting , rear-side
- Data and Signal transfer
- Data and Signal Connectors 4-pole , insulated , straight
- Reinforced gold plating for increased insertions

Characteristics

- Does not comply with the JAP or BPO standard

Weblinks

[pdf data sheet](#), [html datasheet](#), [General Product Information](#), [Distributor-Stock-Check](#), [Detailed request for product](#)

Technical Data

Diameter	7.5 mm
Number of Poles	4-pole
Ratings DC	2 A / 12 VDC
Ratings AC	2 A / 12 VAC
Dielectric Strength	1000VDC
Insulation Resistance	> 10000 MΩ @ 500VDC

Allowable Operation Temperature	-20 °C to 70 °C
Terminal	solder terminal
Mounting	Screw-on mounting wall thickness max. 7.6mm
Housing	insulated
Style	straight
Lifetime	10000 Insertions




Approvals and Compliances

Detailed information on product approvals, code requirements, usage instructions and detailed test conditions can be looked up in [Details about Approvals](#)

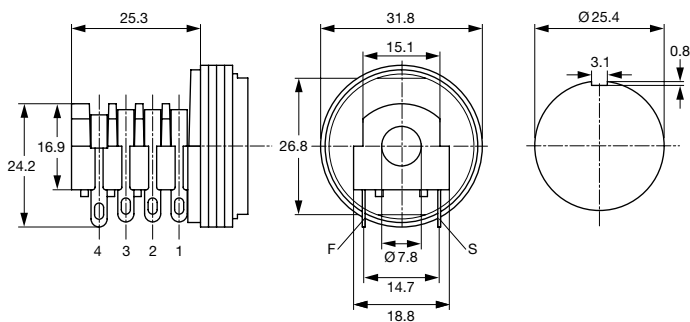
SCHURTER products are designed for use in industrial environments. They have approvals from independent testing bodies according to national and international standards. Products with specific characteristics and requirements such as required in the automotive sector according to IATF 16949, medical technology according to ISO 13485 or in the aerospace industry can be offered exclusively with customer-specific, individual agreements by SCHURTER.

Compliances

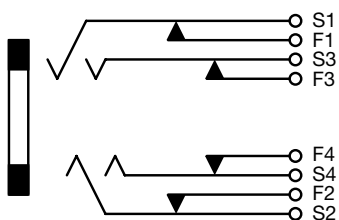
The product complies with following Guide Lines

Identification	Details	Initiator	Description
	RoHS	SCHURTER AG	Directive RoHS 2011/65/EU, Amendment (EU) 2015/863
	China RoHS	SCHURTER AG	The law SJ / T 11363-2006 (China RoHS) has been in force since 1 March 2007. It is similar to the EU directive RoHS.
	REACH	SCHURTER AG	On 1 June 2007, Regulation (EC) No 1907/2006 on the Registration, Evaluation, Authorization and Restriction of Chemicals 1 (abbreviated as "REACH") entered into force.

Dimensions [mm]



Diagrams



Variants

Product group	Diameter [mm]	Number of Poles	Terminal	Order Number
Data and Signal Plug/ Sockets	7.5	4-pole	solder terminal	4804.2410

Availability for all products can be searched real-time: <https://www.schurter.com/en/info-center/support-tools/stock-check-distributors>

Packaging unit

100 Pcs

Mating Inlets/Plugs

Category / Description



[Data and Signal Plug/Socket Overview complete](#)

Plug, solder terminal, insulated, 7.5 mm, 4-pole, straight, UK-Connector	4804.1400
Plug, solder terminal, insulated, 7.5 mm, 4-pole, straight, UK-Connector	4804.1401