

IEC Appliance Inlet C18, Snap-in Mounting, Front Side, Solder or Quick-connect Terminal



6102-5

C18  
  
 70° C

**Description**

- Panel Mount:
  - Snap-in version from front side
- Appliance Inlet, Pin temperature 70 °C, Protection class II
- Solder terminals or quick connect terminals

**Approvals**

- VDE Certificate Number: 40015595
- UL File Number: E96454

**Other versions on request**

- Other panel thickness
- Types for enhanced glow wire test requirements acc. IEC 60695-2-11 to -13 for the use in unattended household equipment acc. IEC 60335-1

**References**

Alternative: Version in protection class I 6100-4

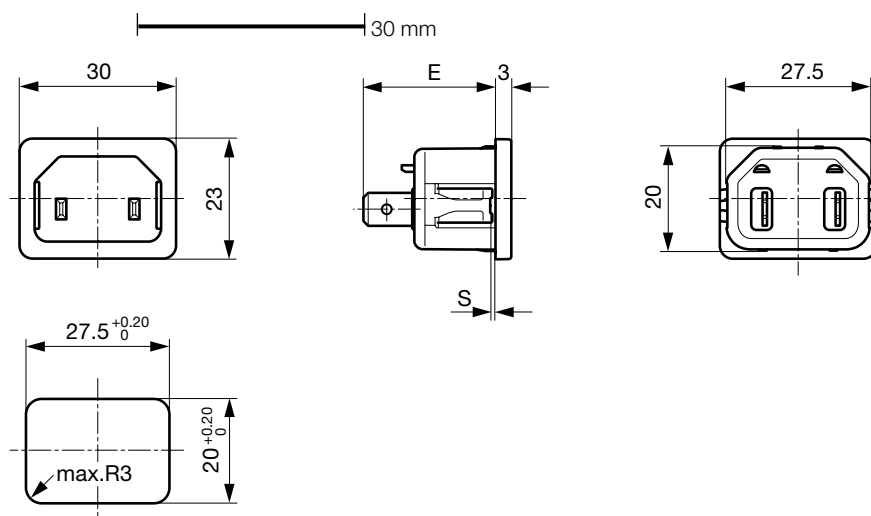
**Weblinks**

[pdf](#), [html](#), [General Product Information](#), [Approvals](#), [RoHS](#), [CHINA-RoHS](#), [Mating Connectors](#), [e-Shop](#), [SCHURTER-Stock-Check](#), [Distributor-Stock-Check](#), [Accessories](#)

**Technical Data**

Ratings IEC	10A / 250VAC; 50Hz
Ratings UL/CSA	15A / 250VAC; 60Hz
Dielectric Strength	> 2 kVAC between L-N (1 min/50Hz)
Allowable Operation Temp.	-25 °C to 70 °C
Degree of Protection	from front side IP 30 acc. to IEC 60529
Protection Class	Suitable for appliances with protection class 2 acc. to IEC 61140
Terminal	Solder terminals or quick connect terminals
Panel Thickness s	Snap-in: 1/1.2/1.5/2/2.5/3 mm
Material: Housing	Thermoplastic, black, UL 94V-0

Appliance Inlet	C18 acc. to IEC/EN 60320-1, UL 498, CSA C22.2 no. 42 (for cold conditions) pin-temperature 70 °C, 10A, Protection Class 2
-----------------	---

**Dimensions**

E: Solder terminals 22.5 mm

E: Quick connect terminals 25.5 mm

S: 1.0; 1.2; 1.5; 2.0; 2.5; 3.0 mm

## Variants

Type	Protection Class	Panel mounting	Panel Thickness s [mm]	Terminal	Order Number
6102-5	2	Snap-in	1.5	Quick connect terminals 4.8 x 0.8 mm	6102.5215
6102-5	2	Snap-in	2	Quick connect terminals 4.8 x 0.8 mm	6102.5220
6102-5	2	Snap-in	2.5	Quick connect terminals 4.8 x 0.8 mm	6102.5225
6102-5	2	Snap-in	3	Quick connect terminals 4.8 x 0.8 mm	6102.5230
6102-5	2	Snap-in	1	Quick connect terminals 6.3 x 0.8 mm	6102.5310
6102-5	2	Snap-in	1.2	Quick connect terminals 6.3 x 0.8 mm	6102.5312
6102-5	2	Snap-in	1.5	Quick connect terminals 6.3 x 0.8 mm	6102.5315
6102-5	2	Snap-in	2	Quick connect terminals 6.3 x 0.8 mm	6102.5320
6102-5	2	Snap-in	2.5	Quick connect terminals 6.3 x 0.8 mm	6102.5325
6102-5	2	Snap-in	3	Quick connect terminals 6.3 x 0.8 mm	6102.5330
6102-5	2	Snap-in	1	Solder terminals 3.8 x 0.8 mm	6102.5110
6102-5	2	Snap-in	1.2	Solder terminals 3.8 x 0.8 mm	6102.5112
6102-5	2	Snap-in	1.5	Solder terminals 3.8 x 0.8 mm	6102.5115
6102-5	2	Snap-in	2.5	Solder terminals 3.8 x 0.8 mm	6102.5125
6102-5	2	Snap-in	3	Solder terminals 3.8 x 0.8 mm	6102.5130

Articles for enhanced glow wire test requirements acc. IEC 60695-2-11 to -13 can be ordered with ending ".15" (xxxx.xxxx.15). They are suitable for the use in unattended household equipment acc. IEC 60335-1.

**Packaging unit** 50 Pcs

## Accessories

### Description



Assorted Covers  
Rear Cover



Cord retaining kits  
Cord retaining strain relief

## Mating Outlets/Connectors

### Category / Description

[ConnectorOverview complete](#)



IEC Connector C15, Rewireable, Straight	0101
IEC Connector C15A, Rewireable, Straight	0102
IEC Connector C15A, Rewireable, Straight	0102-G
IEC Connector C15A, Rewireable, Angled	0112
IEC Connector C13, Rewireable, Angled	4012

[Connectorfurther types to6102-5](#)

...



[Power Cord Overview complete](#)

Power Cord with IEC Connector C17, Angled	0301
Power Cord with IEC Connector C13, Angled	0311
Power Cord with IEC Connector C13, Angled	3011
Power Cord with IEC Connector C13, Angled	3012
Power Cord with IEC Connector C13, Angled	3013
Power Cord further types to 6102-5	...



[Power Supply or Interconnection Cord Overview complete](#)

Divers Power Supply and Interconnection Cords 10 A	Cord Sets 10 A
Power Supply or Interconnection Cord further types to 6102-5	