

Metal Switch Medium Stroke, Switching Voltage up to 35 VDC



MCS ES 22

See below:

**Approvals and Compliances**

**Description**

- Vandal-proof momentary switch with a diameter of 22 mm
- Assembly by mounting with nut
- Screw terminal

**Characteristics**

- Housing material in high-quality stainless steel or aluminium
- Rugged design, protection against vandalism
- For use in harsh environments

**References**

Alternative: Other diameter [MCS ES 18](#)

**Weblinks**

[pdf data sheet](#), [html datasheet](#), [General Product Information](#), [CAD-Drawings](#), [Product News](#), [Detailed request for product](#)

**Technical Data**

**Electrical Data**

**Contact Material Silver**

|                          |                                   |
|--------------------------|-----------------------------------|
| Switching Voltage        | min. 3 VAC/VDC<br>max. 35 VAC/VDC |
| Switching current        | min. 5 mA AC/DC<br>max. 2 A AC/DC |
| Rated Switching Capacity | 70 W AC/DC                        |
| Lifetime                 | 200'000 actuations                |
| Contact Resistance       | < 50mΩ                            |
| Insulation Resistance    | > 1'000 MΩ                        |
| Duration of Bounce       | < 10 ms                           |

**Mechanical Data**

|                       |                    |
|-----------------------|--------------------|
| Actuating Force       | 4 N                |
| Actuating Travel      | 1.8 mm             |
| Lifetime              | 200'000 actuations |
| Shock Protection      | IK09               |
| Mounting screw torque | 0.8 Nm             |

**Climatical Data**

|                       |              |
|-----------------------|--------------|
| Operating Temperature | -25 to 55 °C |
| Storage Temperature   | -25 to 55 °C |
| IP-Protection         | IP65         |

**Material**

|                     |                 |
|---------------------|-----------------|
| Contact Material    | Ag              |
| Housing             | Stainless Steel |
| Actuator unlettered | Stainless Steel |

**Approvals and Compliances**

Detailed information on product approvals, code requirements, usage instructions and detailed test conditions can be looked up in [Details about Approvals](#)

SCHURTER products are designed for use in industrial environments. They have approvals from independent testing bodies according to national and international standards. Products with specific characteristics and requirements such as required in the automotive sector according to IATF 16949, medical technology according to ISO 13485 or in the aerospace industry can be offered exclusively with customer-specific, individual agreements by SCHURTER.



**Application standards**

Application standards where the product can be used

| Organization | Design                         | Standard       | Description   |
|--------------|--------------------------------|----------------|---|
|              | Suitable for applications acc. | IEC/UL 62368-1 | Audio/video, information and communication technology equipment - Part 1: Safety requirements |

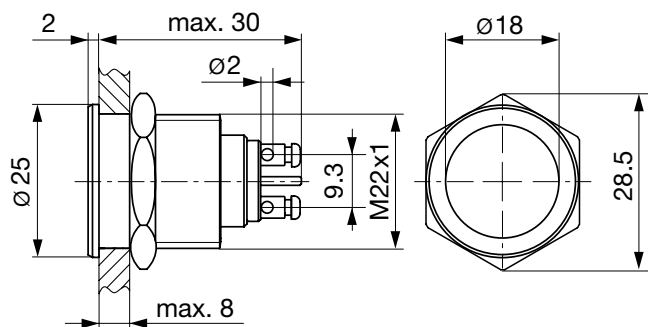
## Compliances

The product complies with following Guide Lines

| Identification   | Details | Initiator   | Description   |
|--|---------|-------------|---|
|  | RoHS    | SCHURTER AG | Directive RoHS 2011/65/EU, Amendment (EU) 2015/863  |
|  | REACH   | SCHURTER AG | On 1 June 2007, Regulation (EC) No 1907/2006 on the Registration, Evaluation, Authorization and Restriction of Chemicals 1 (abbreviated as "REACH") entered into force. |

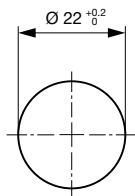
## Dimension [mm]

MCS ES 22



## Dimension

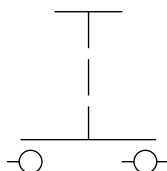
MCS ES 22



Drilling diagram

## Diagrams

MCS ES 22



**Variants**

| Switching current | Switching Voltage | Contact Material | Shock Protection | Torsion Protection | IP Protection Class Front Side | Config. Code | Order Number |
|-------------------|-------------------|------------------|------------------|--------------------|--------------------------------|--------------|--------------|
| [A]               | [VAC/VDC]         |                  |                  |                    |                                |              |              |
| 2A                | 35 VAC/VDC        | Ag               | IK09             | no                 | IP65                           | MCS ES 22    | 1301.9565    |

The nut is enclosed in the box.

Availability for all products can be searched real-time: <https://www.schurter.com/en/info-center/support-tools/stock-check-distributors>

**Packaging unit** 10 in cardboard box



- Actuating elements in ESD safe packaging
- Screw nuts in a bag (enclosed in the box)