

# Mounting Instruction

## 6610-5 Appliance Outlet

### CONTENT

<b>1</b>	<b>GENERAL</b> .....	<b>1</b>
<b>2</b>	<b>WIRES FOR IDC-CONTACTS</b> .....	<b>1</b>
<b>3</b>	<b>SOLID WIRE ASSEMBLY WITH THE COVER</b> .....	<b>2</b>
<b>4</b>	<b>SOLID WIRE ASSEMBLY WITH A FORCE FITTING TOOL</b> .....	<b>3</b>
<b>5</b>	<b>LIGHT PIPE ASSEMBLY</b> .....	<b>6</b>

#### 1 General

Before assembling the 6610-5 IDC-contacts with the proper wire gauge, make sure that the contacts are clean and not twisted.

To connect the solid wires into the IDC contacts<sup>1)</sup>, whether the outlet is already installed in a panel or not, the outlet should be placed on a flat surface where a force for 3 wires of minimum 900 N can be applied. Depending on the wire style (cross-section, insulation), the press-in force for one solid wire can reach 300 N or more. Therefore, the force for three wires may reach more than 900 N.

1) IDC contacts according to IEC 60998-2-3, type "r"

#### 2 Wires for IDC-contacts

6610-5- <b>111</b> -XX-XXXX-00	2.5 mm <sup>2</sup> / 12 AWG	Insulated solid wire, single core (Y: optional type for L, see data sheet)
6610-5- <b>Y11</b> -XX-XXXX-00		
6610-5- <b>222</b> -XX-XXXX-00	1.5 mm <sup>2</sup> / 14 AWG	Insulated solid wire, single core (Y: optional type for L, see data sheet)
6610-5- <b>Y22</b> -XX-XXXX-00		
6610-5- <b>333</b> -XX-XXXX-00	1.0 mm <sup>2</sup>	Insulated solid wire, single core (Y: optional type for L, see data sheet)
6610-5- <b>Y33</b> -XX-XXXX-00		

#### Insulation

For America: According to UL 758

For Europe: According to IEC 60228

Outer diameter shall not exceed Ø 3.5 mm.

Product Documentation					Mounting Instruction 6610-5		
owner	creation date	release date	released by	change order no	rev	page	D10-015-720
vettorsa	17.08.2018	27.08.2018	vettorsa	2016073	B	1 of 7	

### 3 Solid wire assembly with the cover

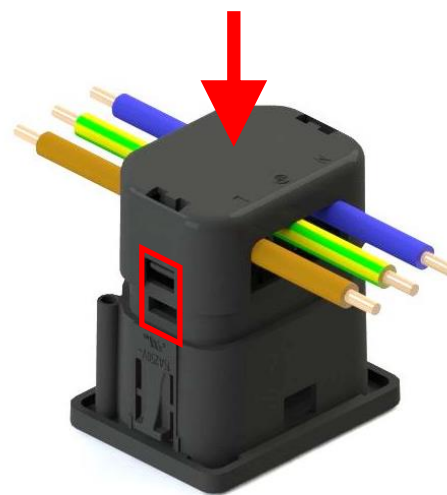
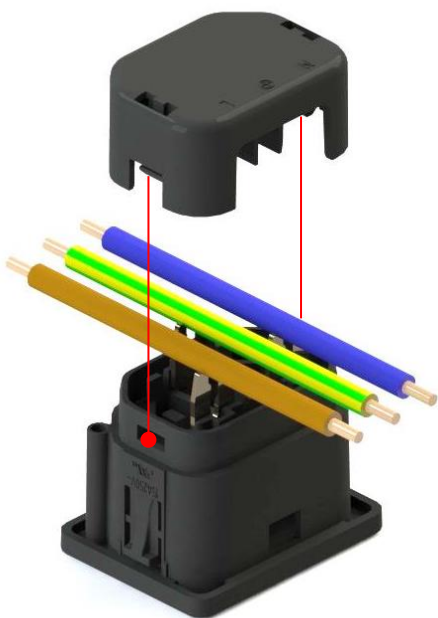
1) IDC contacts must be clean and not twisted.  
The contacts are not rewirable.

2) Place three solid wires (according to 2 Wires for  
IDC-contact) on the IDC contacts L, N and PE



3) Place the appropriate cover on the outlet.  
Ensure the cover is in the right position.

4) Use the cover to press the wire down into the  
IDC contacts. The cover must snap-in with the  
body.



Product Documentation					Mounting Instruction 6610-5		
owner	creation date	release date	released by	change order no	rev	page	D10-015-720
vettorsa	17.08.2018	27.08.2018	vettorsa	2016073	B	2 of 7	

5) This mounting instruction is valid for 6610-5 cross and 6610-5 along.



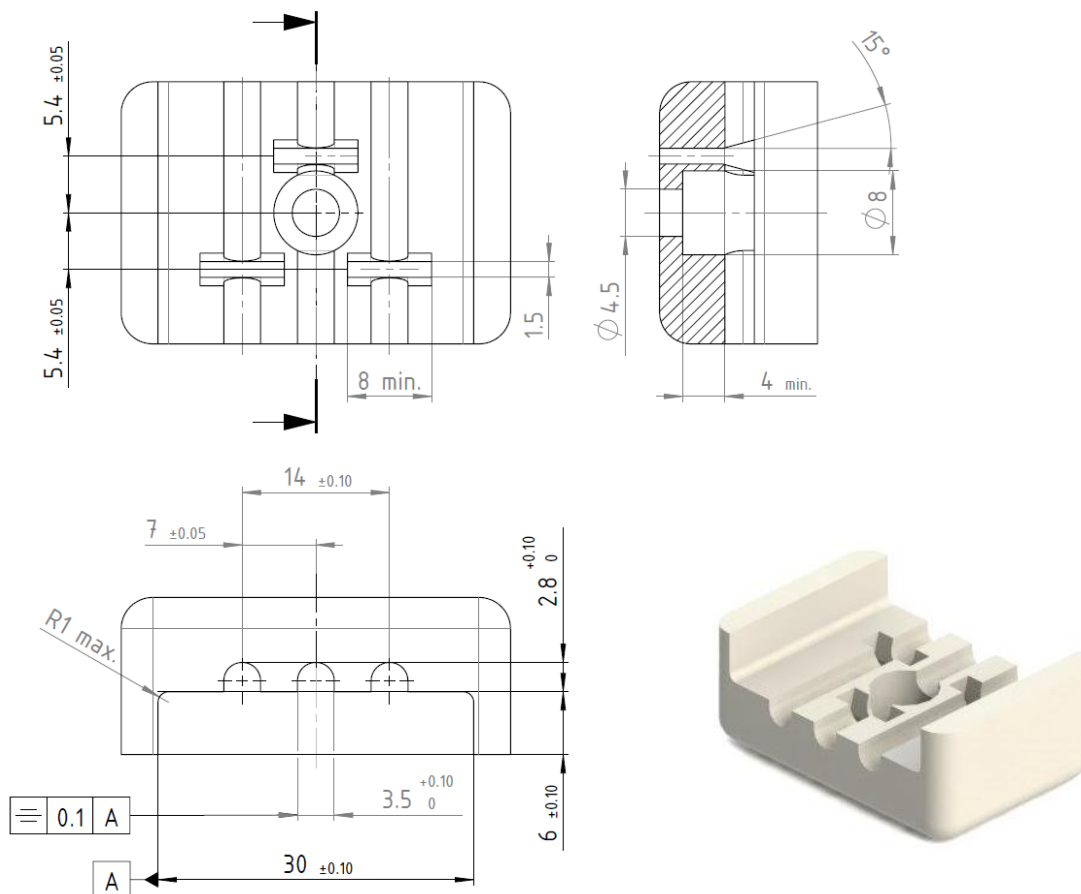
6610-5 cross



6610-5 along

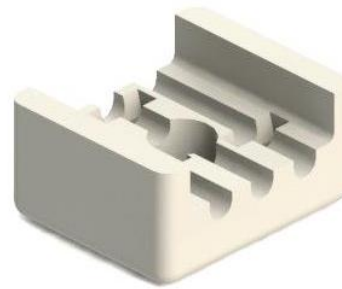
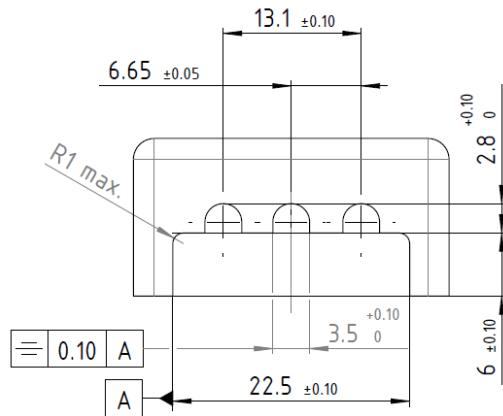
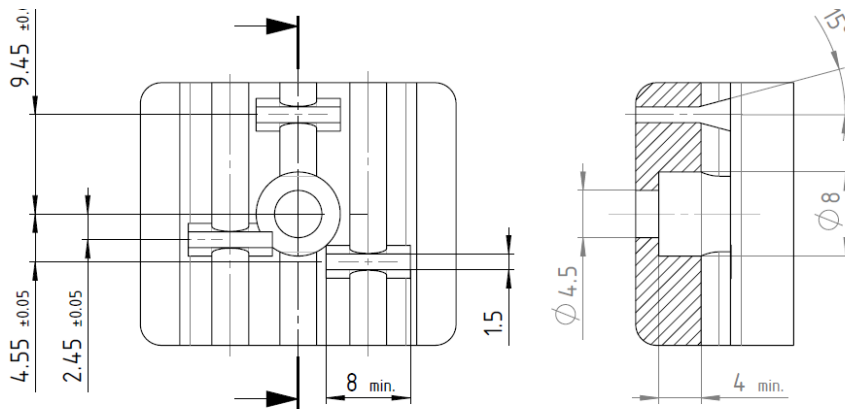
#### 4 Solid wire assembly with a force fitting tool

1) A force fitting tool can be designed by the customer. This instruction shows a recommended variation of a force fitting tool, for both cross and along arrangement variations.



Product Documentation					Mounting Instruction 6610-5		
owner	creation date	release date	released by	change order no	rev	page	D10-015-720
vettorsa	17.08.2018	27.08.2018	vettorsa	2016073	B	3 of 7	

for 6610-5 along



for 6610-5 cross

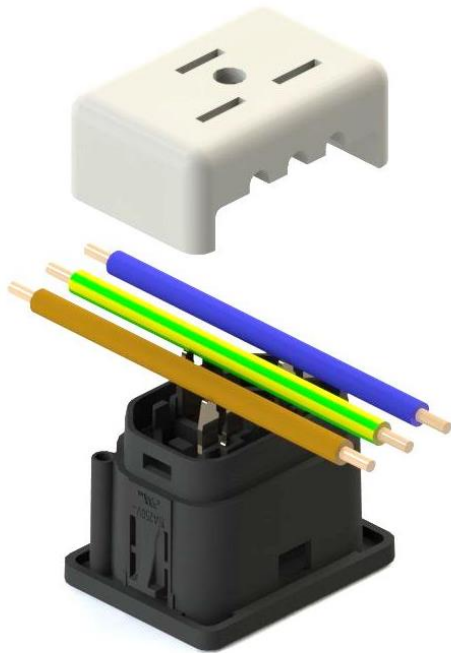
2) IDC contacts must be clean and not twisted. The contacts are not rewirable.

3) Place the wires on the IDC contacts L, N and PE. At customer's option it's possible to connect the wires one by one.

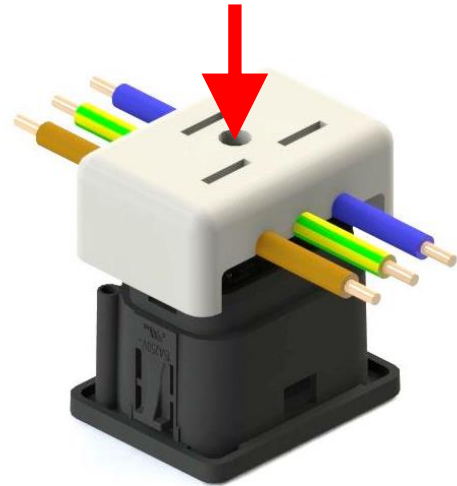


Product Documentation					Mounting Instruction 6610-5		
owner	creation date	release date	released by	change order no	rev	page	D10-015-720
vettorsa	17.08.2018	27.08.2018	vettorsa	2016073	B	4 of 7	

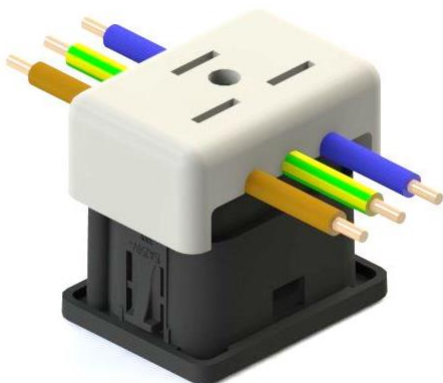
4) Place the force fitting tool on the outlet



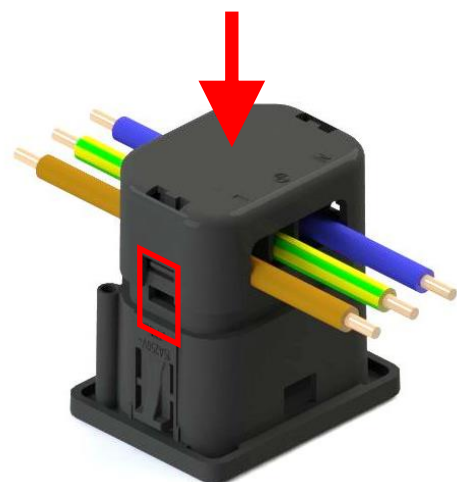
5) Press the wires down into the IDC contacts.



6) Press until the wires are fixed at the socket.



7) Plug in the rear cover to the wired socket. The cover must snap-in with the body.



Product Documentation					Mounting Instruction 6610-5		
owner	creation date	release date	released by	change order no	rev	page	D10-015-720
vettorsa	17.08.2018	27.08.2018	vettorsa	2016073	B	5 of 7	

8) This mounting instruction is valid for 6610-5 cross and 6610-5 along.



6610-5 cross

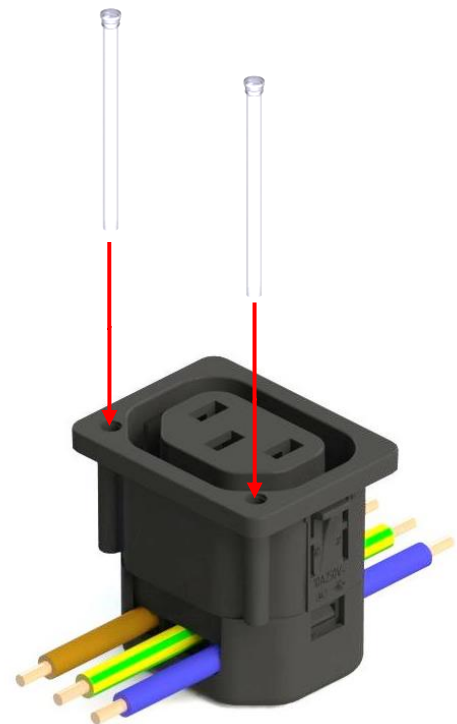


6610-5 along

## 5 Light pipe assembly

1) Mount the light pipe when the 6610-5 is wired already.

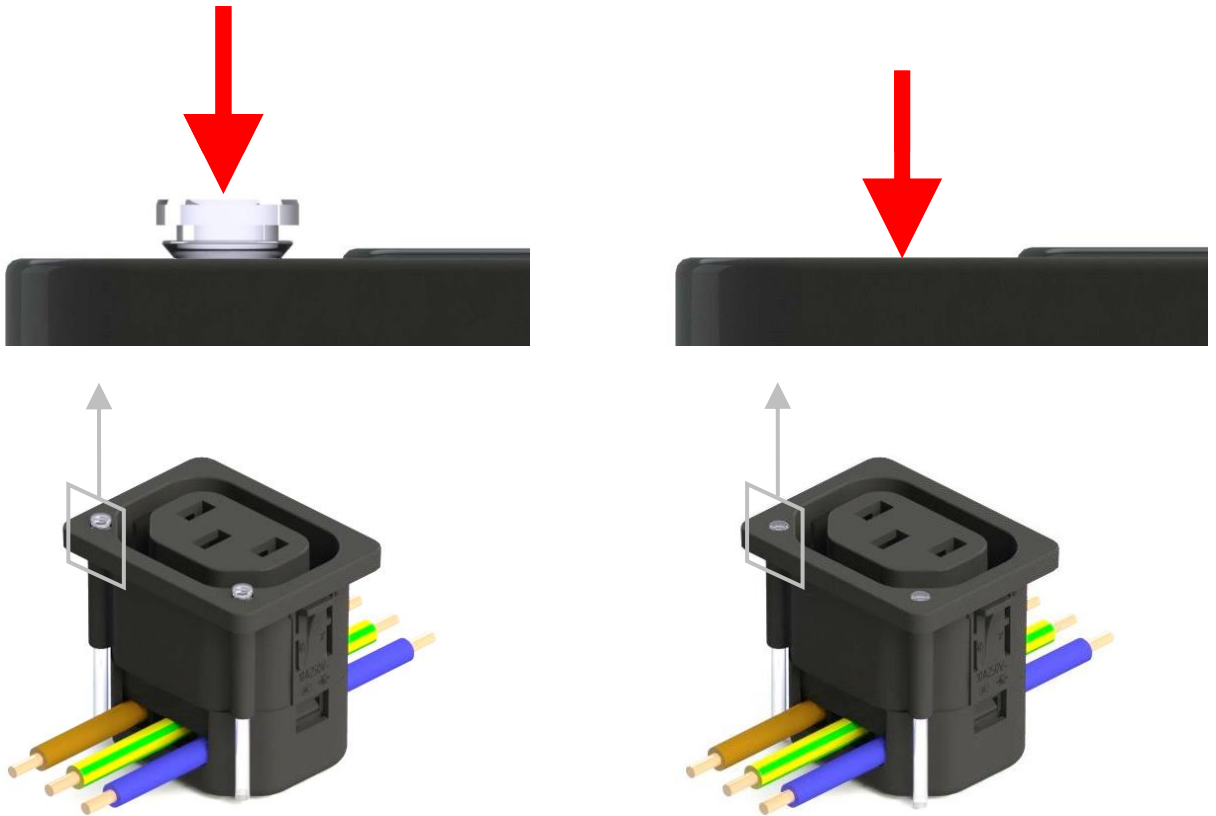
2) Place the light pipes and push them slightly in.



3) Press in the light pipes with a suitable tool.

4) Make sure that the light pipes are pressed in.

Product Documentation					Mounting Instruction 6610-5		
owner	creation date	release date	released by	change order no	rev	page	D10-015-720
vattersa	17.08.2018	27.08.2018	vattersa	2016073	B	6 of 7	



5) This mounting instruction is valid for 6610-5 cross and 6610-5 along.



6610-5 cross



6610-5 along

Product Documentation					Mounting Instruction 6610-5		
owner	creation date	release date	released by	change order no	rev	page	D10-015-720
vettorsa	17.08.2018	27.08.2018	vettorsa	2016073	B	7 of 7	