

1 Products affected

Product hierarchy no. *				Part no.	SBU	Type / Description	Customer part no.
SBU	PG	PGU	Type				
01	001	023	0000000350	3404.2405.XX - 3404.2422.XX	Circuit Protection	UMZ 250	

*SBU (2-digit) / PG (3-digit) / PGU (3-digit) / Type (10-digit)

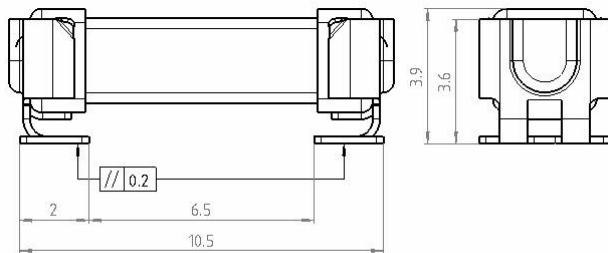
2 Type of change

Product improvement, change of mechanical dimensions

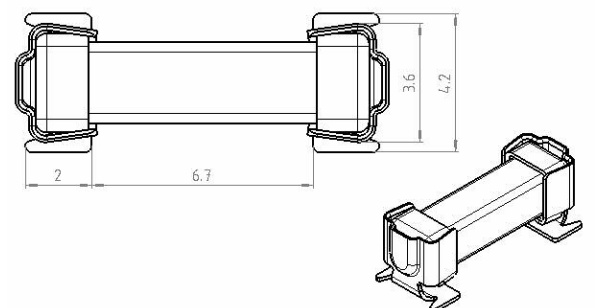
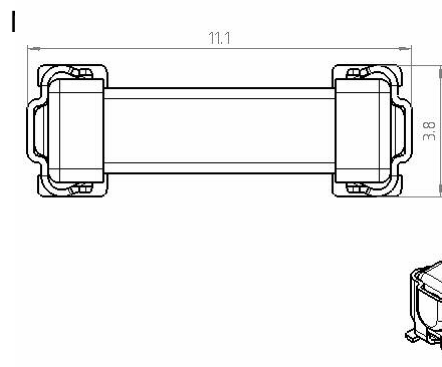
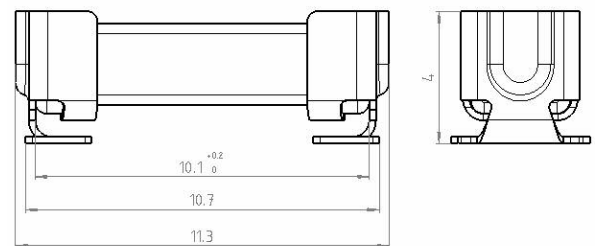
3 Detailed description of change

General height: old: 3.9mm → new 4mm
 General width: old: 3.8mm → new 4.2mm
 New positions of the fuse dead stop: → new: Fastened under clamping spring.
 No changes to PCB pad size!

Old:



New:



4 Reason of change

- improved clamping force for better mechanical fixation
- improved electrical contact for reduced power dissipation

UMZ 250 Clip					0118.2074	
Creation date:	Created by:	Release date:	Released by:	Notification No.	Index	Page
05.09.2011 14:55:29	MER	17.10.2011	WT		-	1 von 2

5 Released date

Production release

W42 / 2011

6 Impact of change and recommended action

Form: Dimension change
Fit: N/A
Function: N/A
Production Site: N/A

7 Reference Documents / Attachments

Kind of document	Document number	Remarks

UMZ 250 Clip					0118.2074	
Creation date:	Created by:	Release date:	Released by:	Notification No.	Index	Page
05.09.2011 14:55:29	MER	17.10.2011	WT		-	2 von 2