

1 Products affected

Product hierarchy no. *			Part no.	SBU	Type / Description	Customer part no.
SBU PG	PGU	Type				
02	007	003	0000002363	See list below	Appliance inlet	1681

*SBU (2-digit) / PG (3-digit) / PGU (3-digit) / Type (10-digit)

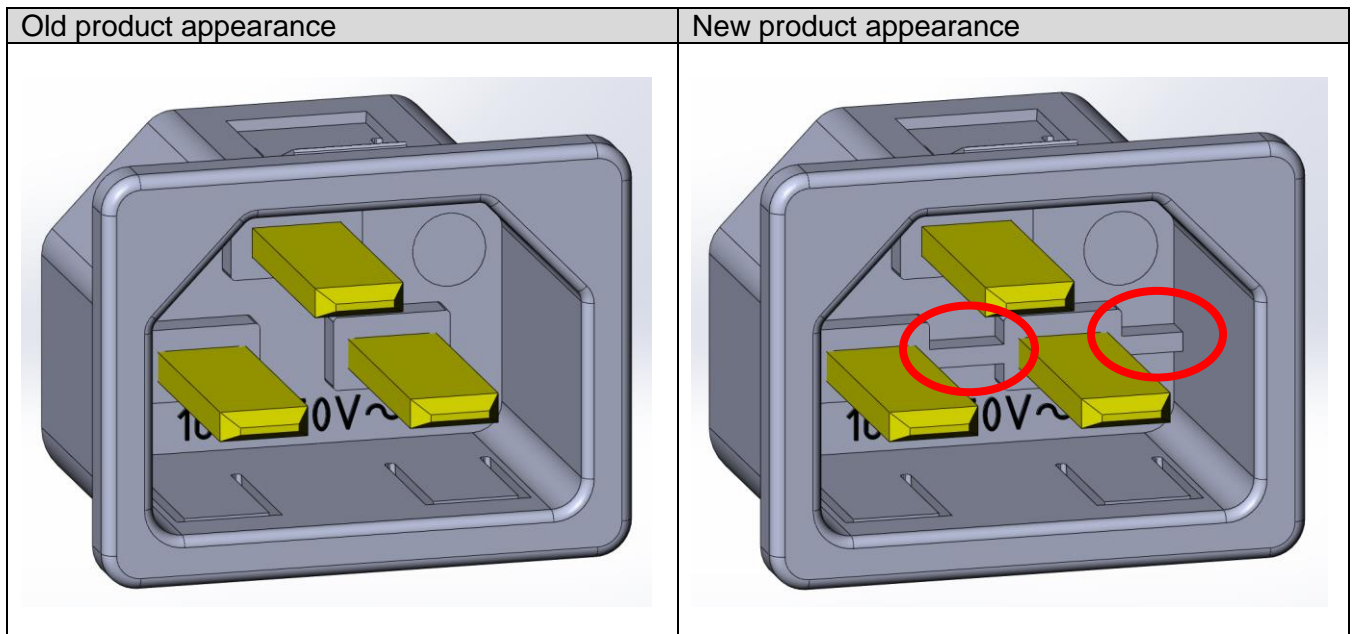
List of part numbers affected				
6173.0009	6173.0018	6173.0026	6173.0034	6173.0042
6173.0010	6173.0019	6173.0027	6173.0035	6173.0043
6173.0011	6173.0020	6173.0028	6173.0036	6173.0044
6173.0012	6173.0021	6173.0029	6173.0037	6173.0045
6173.0013	6173.0022	6173.0030	6173.0038	6173.0046
6173.0014	6173.0023	6173.0031	6173.0039	6173.0047
6173.0015	6173.0024	6173.0032	6173.0040	6173.0048
6173.0016	6173.0025	6173.0033	6173.0041	6173.0049
6173.0017				

2 Type of change

Reinforced socket ground with ribs.

3 Detailed description of change

Reinforced socket ground in the area of breakthroughs for L and N terminals. (snap-in types only)



4 Reason of change

To guarantee the dimensions (direction) of the pins according to IEC 60320.

1681 Appliance Inlet					0118.2315	
creation date	created by	release date	released by	notification no.	revision	page
2015-11-06	huberth	2015-11-09	huberth		-	1 of 2

5 Release date

The change will be rolled-out starting ww 45/2015 (Date code 1545 or higher on label) and lasts approx. 3 months depending on the variant.

6 Impact of change and recommended action

Form: Additional ribs between the breakthroughs on the socket ground (inside)
Fit: No There are no dimensional changes
Function: No This is a non-functional change
Production Site: No There is no change of the production site
Product Label: No There is no change on the label
Customer action: No There is no customer action required

7 Reference Documents / Attachments

Kind of document	Remarks
Data Sheet 1681	

1681 Appliance Inlet					0118.2315	
creation date	created by	release date	released by	notification no.	revision	page
2015-11-06	huberth	2015-11-09	huberth		-	2 of 2