

IEC Appliance Inlet C16, Screw-on Mounting, Front Side, Quick-connect or Screw-on Terminal



Description

- Panel Mount:
Screw-on mounting, Front Side
- 1 Function:

- Appliance Inlet, Pin temperature 120 °C, Protection class I
- Solder, Quick Connect or Screw Terminals

Approvals

- VDE Certificate Number: 40009508
- UL File Number: E96454
- CSA File Number: 27324

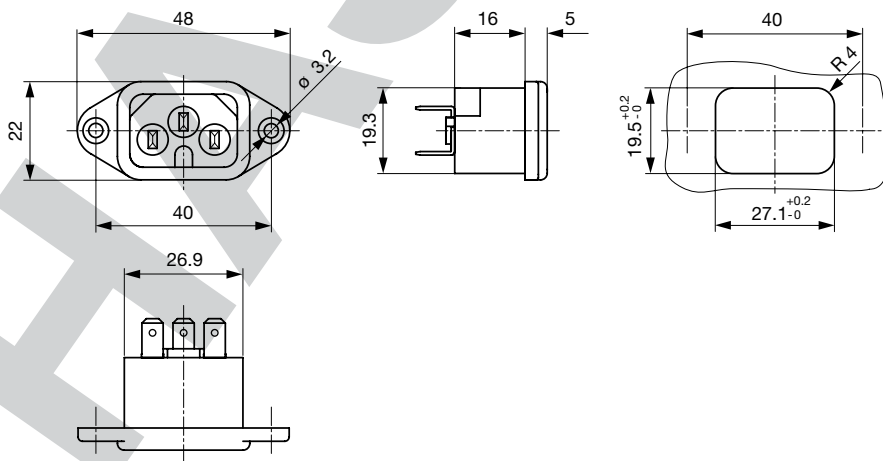
Weblinks

[pdf-datasheet](#), [html-datasheet](#), [General Product Information](#), [Approvals](#), [CE declaration of conformity](#), [RoHS](#), [CHINA-RoHS](#), [REACH](#), [Mating Connectors](#), [e-Shop](#), [SCHURTER-Stock-Check](#), [Distributor-Stock-Check](#), [CAD-Drawings](#), [Accessories](#), [Detailed request for product](#)

Technical Data

Ratings IEC	10A / 250VAC; 50Hz	Appliance Inlet	C16 acc. to IEC 60320 UL 498, CSA C22.2 no. 42 (For hot conditions) pin-temperature 120 °C, 10A, Protection Class I
Ratings UL/CSA	15A / 250VAC; 60Hz		
Dielectric Strength	> 3kVAC between L-N > 1.5kVAC between L/N-PE (1 min/50Hz)		
Allowable Operation Temp.	-25 °C to 120 °C		
Degree of Protection	from front side IP 20 acc. to IEC 60529		
Protection Class	Suitable for appliances with protection class I acc. to IEC 61140		
Material: Housing	PA6, black or grey, UL 94V-0		

Dimensions



Length of the terminal please find at the order code configuration table

Config. Code


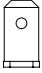

0161-Y - H - A B C 0 - D - E G O

The characters are placeholders for the correspondingly keys of selections from the key tables.

0161-Y - H - A B C 0 - D - E G O = Type

Type	Configuration key
variant	Y

0161-Y - H - A B C 0 - D - E G O = Terminals

Terminal L	Configuration key
short solder terminal (L = 4.8 mm) 	2
Blade terminal (4.8 x 0.8 mm) 	8
Blade terminal (6.3 x 0.8 mm) 	9
screw terminal	A

0161-Y - H - A B C 0 - D - E G O = Terminals

Terminal N	Configuration key
short solder terminal (L = 4.8 mm)	2
Blade terminal (4.8 x 0.8 mm)	8
Blade terminal (6.3 x 0.8 mm)	9
screw terminal	A

Symbols similar as in table A

0161-Y - H - A B C 0 - D - E G O = Terminals

Terminal Ground	Configuration key
short solder terminal (L = 4.8 mm)	2

Symbols similar as in table A

Terminal Ground	Configuration key
Blade terminal (4.8 x 0.8 mm)	8
Blade terminal (6.3 x 0.8 mm)	9
screw terminal	A

Symbols similar as in table A

0161-Y - H - A B C 0 - D - E G O = Color

Color	Configuration key
Black	A
Grey	B

0161-Y - H - A B C 0 - D - E G O = Style

Style	Configuration key
flange with countersunk holes	1
flange with through holes	2

0161-Y - H - A B C 0 - D - E G O = Mass S

Mass "s"	Configuration key
40	

The dimension "S" is displayed in ($\frac{1}{10}$ mm). This information is also valid for the order code

0161-Y - H - A B C 0 - D - E G O = Features

Features	Configuration key
without V-Lock	
V-Lock	V

Mating Outlets/Connectors

Category / Description

[Connector Overview complete](#)



IEC Connector C15A, Rewireable, Straight	0102
IEC Connector C15A, Rewireable, Straight	0102-G
IEC Connector C15A, Rewireable, Angled	0112
IEC Connector C15A for very hot conditions 155°C, Rewireable, Straight	4771
IEC Connector C15A, Rewireable, Angled	4772
Connector further types to 0161-Y	...