

Shock-Safe Fuseholder, 5 x 20 mm, Fingergrip, NF



250 VAC · 3.4W/6.3A (NF)

See below:
[Approvals and Compliances](#)

Description

- IP 68 from front-side
- Screw type fuse carrier


References

We recommend for new applications the type [FIZ](#)
 Last order date: 31.12.2013
 Fuseholder to [172581](#)

Weblinks

[pdf datasheet](#), [html-datasheet](#), [General Product Information](#), [Packaging details](#), [Distributor-Stock-Check](#), [Detailed request for product](#), [Microsite](#)

Technical Data

Fuse-Link	5 x 20 mm	Soldering Methods	Iron Soldering Profile
Mounting	Panel mount, Front Side	Contact Resistance	< 5 mΩ acc. to NF C 93-436
Attachment	Fixing Nut	Resistance to Vibration	acc. to NF C 20-706 / IEC 60068-2-6, test Fc
Terminal	Solder	Shocks	acc. to NF C 20-706 / IEC 60068-2-27
Rated Voltage	250VAC	Bumps	acc. to NF C 20-729 / IEC 60068-2-29
Rated current	6.3A (NF)	Salt Mist	acc. to NF C 20-711 / IEC 60068-2-11
Rated Power Acceptance IEC	3.4W / 6.3A @ Ta 23°C	Dump Heat	acc. to NF C 20-604
Degree of Protection	IP 68	Climatic Composite	acc. to NF C 20-619 Phase D
Admissible Ambient Air Temp.	-40°C to 125°C	Admissible Torque on Fixing Nut	max 1.0Nm
Climatic Category	40/125/56 acc. to IEC 60068-1	Panel Thickness	max 4mm
Material: Socket	Thermoset, black		
Unit Weight	25 g		
Storage Conditions	0°C to 60°C, max. 70% r.h.		
Product Marking	 Type, Rated Voltage, Rated current		

Approvals and Compliances

Detailed information on product approvals, code requirements, usage instructions and detailed test conditions can be looked up in [Details about Approvals](#)

Approvals

The approval mark is used by the testing authorities to certify compliance with the safety requirements placed on electronic products.
 Approval Reference Type: 231529P

Approval Logo	Certificates	Certification Body	Description
 GAM T1 NNO	LCIE Approvals	LCIE	Norme française

Product standards

Product standards that are referenced

Organization	Design	Standard	Description
	Designed according to		Contrôle de Conformité de Qualité (CCQ)

Application standards

Application standards where the product can be used

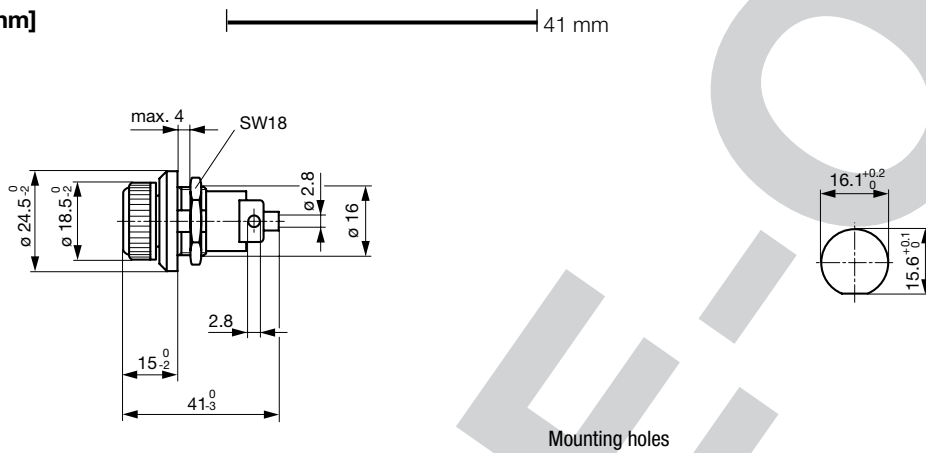
Organization	Design	Standard	Description
	Designed for applications acc.	IEC/UL 60950	IEC 60950-1 includes the basic requirements for the safety of information technology equipment.

Compliances

The product complies with following Guide Lines

Identification	Details	Initiator	Description
	CE declaration of conformity	SCHURTER AG	The CE marking declares that the product complies with the applicable requirements laid down in the harmonisation of Community legislation on its affixing in accordance with EU Regulation 765/2008.
	RoHS	SCHURTER AG	EU Directive RoHS 2011/65/EU
	China RoHS	SCHURTER AG	The law SJ / T 11363-2006 (China RoHS) has been in force since 1 March 2007. It is similar to the EU directive RoHS.
	REACH	SCHURTER AG	On 1 June 2007, Regulation (EC) No 1907/2006 on the Registration, Evaluation, Authorization and Restriction of Chemicals 1 (abbreviated as "REACH") entered into force.

Dimension [mm]



All Variants

Holder	Cap	Degree of Protection	Order Number
●	Fingergrip	IP 68	7091.6110

Availability for all products can be searched real-time: <https://www.schurter.com/en/Stock-Check/Stock-Check-SCHURTER>

Packaging Unit	Bulk (10 pcs.)
-----------------------	----------------