

Power Cord with IEC Connector C7, Angled



C7

 70°C

**Description**

Power Supply Cord / Interconnection Cord, Protection class II, Pin temperature 70 °C, Cable

Approvals

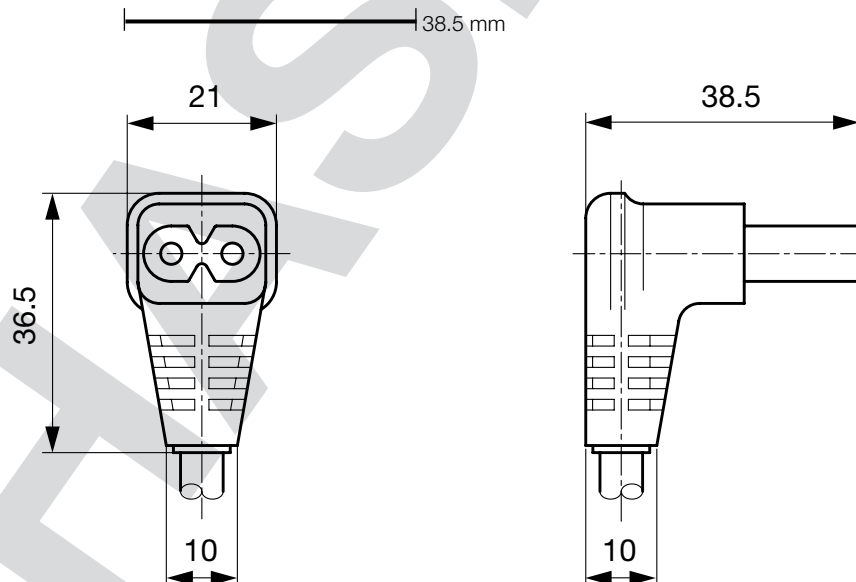
- VDE Certificate Number: 40005800
- CSA File Number: 1020530

Weblinks

[pdf](#), [html](#), [General Product Information](#), [Approvals](#), [RoHS](#), [CHINA-RoHS](#), [Mating Connectors](#), [e-Shop](#), [SCHURTER-Stock-Check](#), [Distributor-Stock-Check](#), [Accessories](#), [Detailed request for product](#)

Technical Data

Ratings IEC	2.5 A / 250 VAC; 50 Hz	Connector	C7 acc. to IEC/EN 60320-1
Ratings UL/CSA	2.5 A / 250 VAC; 60 Hz		UL 498, CSA C22.2 no. 42 (for cold conditions) pin-temperature 70 °C, 2.5 A, Protection Class 2
Dielectric Strength	> 3 kVDC between L-N > 1.5 kVAC between L/N-PE (1 min/50 Hz)		
Allowable Operation Temp.	-25 °C to 70 °C		
Degree of Protection	from front side IP 20 acc. to IEC 60529		
Protection Class	Suitable for appliances with protection class 2 acc. to IEC 61140		
Terminal	moulded		
Material: Housing	PVC, black or grey		

Dimensions

Config. Code

Type - R - 2511 - D - Length

The characters are placeholders for the correspondingly keys of selections from the key tables. Typ is placed for the connector type on the second end, length is the cord length in mm.

Type - R - 2511 - D - Length = Cord end 2

Cord end 2

zzzz, 2225, 2228, 2711, 2712, 2730, 2731, 4121, 4190, 607B, 608B, 609B

Type - R - 2511 - D - Length = cord type

cord type

H03VH2-F 2x0,75mm2
H05VH2-F 2x0,75mm2
SPT 2x18AWG
SVT 2x18AWG

Configuration key

B
E
L
M

Cord definition is detailed in general product information XXX

Type - R - 2511 - D - Length = Color

Color

Black
Grey

Configuration key

A
B

Mating Inlets/Plugs

Category / Description

Appliance Inlet Overview complete

IEC Appliance Inlet C8, Screw-on Mounting, Rear Side, PCB-/Solder Terminal	0720-FP
IEC Appliance Inlet C8, Screw-on Mounting, Rear Side, Solder Terminal	0720-FS
IEC Appliance Inlet C8, Snap-in Mounting, Front Side, Solder Terminal	0721-PP
IEC Appliance Inlet C8, Snap-in Mounting, Front Side, Solder Terminal	0721-PS
IEC Appliance Inlet C8, insert Mounting, Solder, PCB or Quick-connect Terminal	2572

[Appliance Inlet further types to2511](#)

Interconnection Cord Overview complete

Interconnection Cord with IEC Plug C, Angled 70°C	2711
Interconnection Cord with IEC Plug C, Angled	2712
Interconnection Cord with IEC Plug C, Straight	2730
Interconnection Cord with IEC Plug C, Straight	2731

[Interconnection Cord further types to2511](#)

Power Entry Module Overview complete

IEC Appliance Inlet C8 with Line Switch 1-pole	CMF1, CMF4
--	------------

[Power Entry Module further types to2511](#)



Category / Description



Power Entry Module with line filter Overview complete

IEC Appliance Inlet C8 with Filter, Front Side Mounting

5008

Power Entry Module with line filter further types to2511

PHASE-OUT