

Interconnection Cord with Plug "G-Horizontal", Angled



70 °C

**Description**

Interconnection Cord, Protection class II, Pin temperature 70 °C, Cable

Approvals

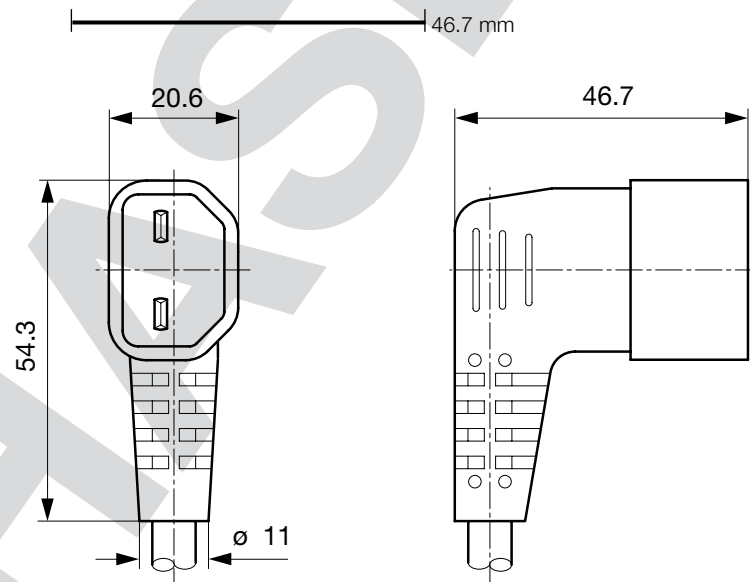
- VDE Certificate Number: 103264
- UL File Number: E45116

Weblinks

[pdf](#), [html](#), [General Product Information](#), [Approvals](#), [RoHS](#), [CHINA-RoHS](#), [Mating Connectors](#), [e-Shop](#), [SCHURTER-Stock-Check](#), [Distributor-Stock-Check](#), [Accessories](#), [Detailed request for product](#)

Technical Data

Ratings IEC	10A / 250VAC; 50 Hz
Ratings UL/CSA	10A / 250VAC; 60 Hz
Dielectric Strength	> 4 kVDC between L-N > 2 kVAC between L/N-PE (1 min/50Hz)
Allowable Operation Temp.	-25 °C to 70 °C
Degree of Protection	from front side IP 20 acc. to IEC 60529
Protection Class	Suitable for appliances with protection class 2 acc. to IEC 61140
Terminal	moulded
Material: Housing	PVC, black or grey

Dimensions

Config. Code

407B - R - Type - D - Length

The characters are placeholders for the correspondingly keys of selections from the key tables.
Typ steht für die Dose bzw. 2. Seite, Länge ist die Leitungslänge in mm.

407B - **R** - Type - D - Length = cord type

cord type	Configuration key
H03VV-F 2x0,75mm ²	A
H03VWH2-F 2x0,75mm ²	B
H05VV-F 2x0,75mm ²	D
H05VWH2-F 2x0,75mm ²	E
SVT 2x18AWG	M

Cord definition is detailed in general product information XXX

407B - R - **Type** - D - Length = Cord end 2

Cord end 2
zzzz, 0301, 3113

407B - R - Type - **D** - Length = Color

Color	Configuration key
Black	A
Grey	B

407B - R - Type - D - **Length** = Cord length

Cord length
zzzz, 000500, 001000, 001500, 002000, 002500, 003000, 005000

Cord length in mm

Mating Outlets/Connectors

Category / Description



[Connector Overview complete](#)

Appliance Outlet "F-Horizontal", Snap-in Mounting, Front Side, Solder or Quick-connect Terminal	4093
Appliance Outlet "F-Horizontal", Screw-on Mounting, Front Side, Solder or Quick-connect Terminal	4098

[Connector further types to407B](#)