

IEC Appliance Outlet D, Inlay Mounting, Solder Terminal



D

 70° C



Description

- 1 Function:
- Connector, Pin temperature 70 °C Protection class II
- Solder terminal

Approvals

- UL File Number: E45115
- CSA File Number: 27324

References

This type is Phase-out. Alternate type: [5086](#)
 Last order date: 31.12.2012

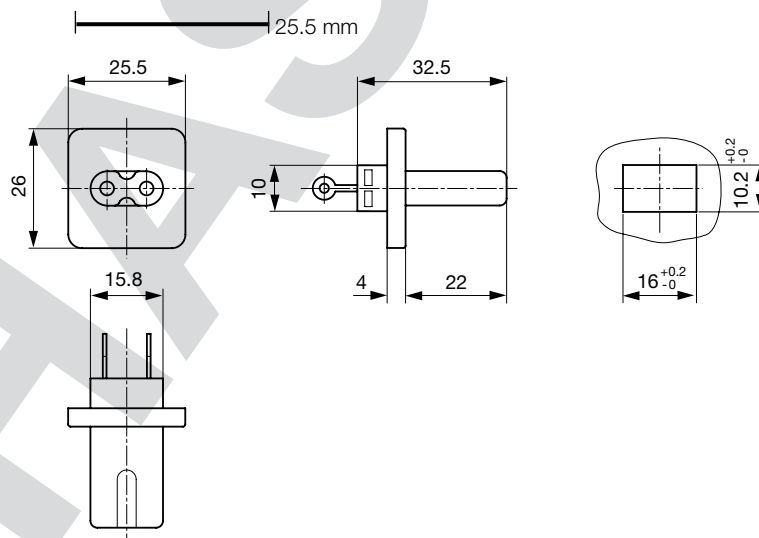
Weblinks

[pdf-datasheet](#), [html-datasheet](#), [General Product Information](#), [Approvals](#), [RoHS](#), [CHINA-RoHS](#), [Mating Connectors](#), [e-Shop](#), [SCHURTER-Stock-Check](#), [Distributor-Stock-Check](#), [CAD-Drawings](#), [Accessories](#), [Detailed request for product](#)

Technical Data

Ratings IEC	2.5 A / 250 VAC; 50 Hz
Ratings UL/CSA	2.5 A / 250 VAC; 60 Hz
Dielectric Strength	> 4 kVAC between L-N > 2 kVAC between L/N-PE (1 min/50 Hz)
Allowable Operation Temp.	-25 °C to 70 °C
Degree of Protection	from front side IP 20 acc. to IEC 60529
Protection Class	Suitable for appliances with protection class II acc. to IEC 61140
Panel Thickness s	Drop-in type
Material: Housing	PA6, black / grey / white, UL 94V-0

Dimensions



Length of the terminal please find at the order code configuration table

Config. Code


5081 - H - A B C 0 - D - E O

The characters are placeholders for the correspondingly keys of selections from the key tables.

5081 - H - A B C 0 - D - E O = Type

Type	Configuration key
protection class 2	B

5081 - H - A B C 0 - D - E O = Terminals

Terminal L	Configuration key
solder terminal 	1

5081 - H - A B C 0 - D - E O = Terminals

Terminal N	Configuration key
solder terminal	1

Symbols similar as in table A

5081 - H - A B C 0 - D - E O = Terminals

Terminal Ground	Configuration key
without terminal	0

Symbols similar as in table A

Packaging unit 50 Pcs

Mating Inlets/Plugs

Category / Description

Appliance Inlet Overview complete



IEC Appliance Inlet C8, Screw-on Mounting, Rear Side, PCB-/Solder Terminal	0720-FP
IEC Appliance Inlet C8, Screw-on Mounting, Rear Side, Solder Terminal	0720-FS
IEC Appliance Inlet C8, Snap-in Mounting, Front Side, Solder Terminal	0721-PP
IEC Appliance Inlet C8, Snap-in Mounting, Front Side, Solder Terminal	0721-PS
IEC Appliance Inlet C8, insert Mounting, Solder, PCB or Quick-connect Terminal	2572

[Appliance Inlet further types to 5081](#)

...

Power Entry Module Overview complete



IEC Appliance Inlet C8 with Line Switch 1-pole	CMF1, CMF4
--	------------

[Power Entry Module further types to 5081](#)

5081 - H - A B C 0 - D - E O = Color

Color	Configuration key
Black	A
Grey	B
White	D

5081 - H - A B C 0 - D - E O = Style

Style	Configuration key
insert type	5

5081 - H - A B C 0 - D - E O = Features

Features	Configuration key

Category / Description



Power Entry Module with line filter Overview complete

IEC Appliance Inlet C8 with Filter, Front Side Mounting

5008

Power Entry Module with line filter further types to 5081

PHASE-OUT