

IEC Appliance Inlet C14, with Line Switch 2-pole, Voltage Selector and Fuseholder 1or 2-pole



**Description**

- Panel Mount:  
Screw-on from front side, Appliance Inlet, Protection class I, Voltage Selectors, Line Switch 2-pole
- Solder terminals or quick connect terminals

**Approvals**

- CSA File Number: 1084381

**References**

This type is Phase-out without alternate type  
Last order possibility: 31.05.2011

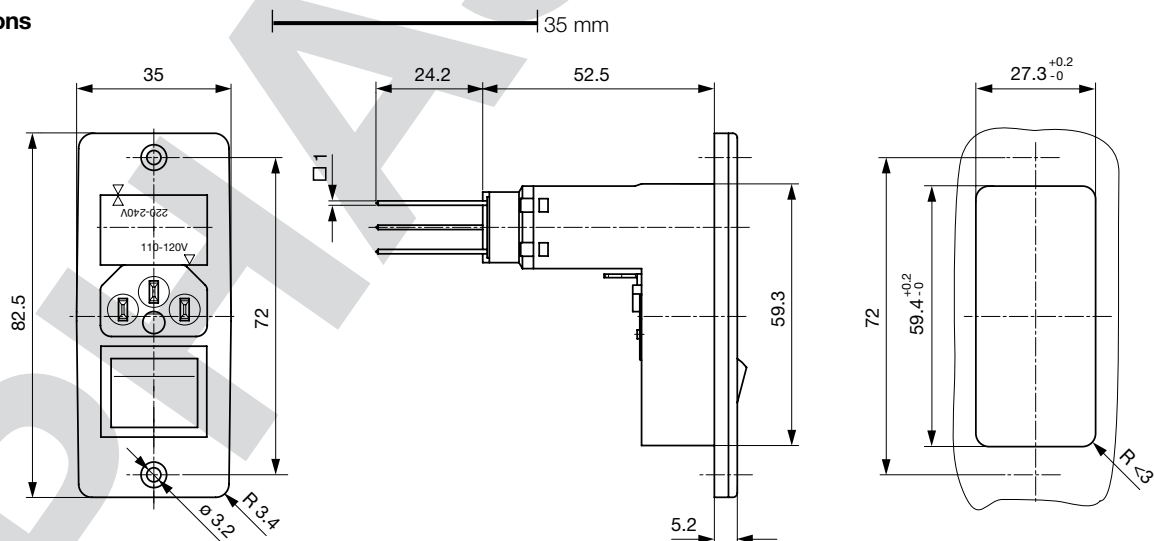
**Weblinks**

[pdf](#), [html](#), [General Product Information](#), [Approvals](#), [RoHS](#), [CHINA-RoHS](#), [Mating Connectors](#), [e-Shop](#), [SCHURTER-Stock-Check](#), [Distributor-Stock-Check](#), [Accessories](#), [Detailed request for product](#)

**Technical Data**

Ratings IEC	10A / 250VAC; 50Hz	Appliance Inlet	C14 acc. to IEC/EN 60320-1 UL 498, CSA C22.2 no. 42 (for cold conditions) pin-temperature 70 °C, 10A, Protection Class 1
Ratings UL/CSA	10A / 250VAC; 60Hz	Fuseholder	1 or 2 pole, acc. to IEC 60127-6, for fuse-links 5 x 20mm
Dielectric Strength	> 3kVAC between L-N > 1.5kVAC between L/N-PE (1 min/50Hz)	Power Acceptance @ Ta > 23°C	Admissible power acceptance at higher ambient temperature see derating curves
Allowable Operation Temp.	-25 °C to 70 °C	Line Switch	Rocker switch 2-pole, non-illuminated or illuminated black, acc. to IEC 61058-1 <a href="#">Technical Details</a>
Degree of Protection	from front side IP 20 acc. to IEC 60529	Voltage Selectors	Step switch, 2 positions
Protection Class	Suitable for appliances with protection class 1 acc. to IEC 61140		
Terminal	Solder terminals or quick connect terminals		
Panel Thickness s	:		
Material: Housing	PA6, black, UL 94V-0		

**Dimensions**



Length of the terminal please find at the order code configuration table

## Config. Code

6788 - H - A B C N - D - E G O P


The characters are placeholders for the correspondingly keys of selections from the key tables.

6788 - H - A B C N - D - E G O P = Type

Type	Configuration key
protection class 1	X

6788 - H - A B C N - D - E G O P = Terminals

Terminal L	Configuration key
short solder terminal (L = 4.8 mm)	2
long solder terminal (L = 8.5 mm)	3
Blade terminal (2.8 x 0.8 mm)	7
Blade terminal (4.8 x 0.8 mm)	8
Blade terminal (6.3 x 0.8 mm)	9
connection to switch	C



6788 - H - A B C N - D - E G O P = Terminals

Terminal N	Configuration key
short solder terminal (L = 4.8 mm)	2
long solder terminal (L = 8.5 mm)	3
Blade terminal (2.8 x 0.8 mm)	7
Blade terminal (4.8 x 0.8 mm)	8
Blade terminal (6.3 x 0.8 mm)	9
connection to switch	C

Symbols similar as in table A

6788 - H - A B C N - D - E G O P = Terminals

Terminal Ground	Configuration key
short solder terminal (L = 4.8 mm)	2
long solder terminal (L = 8.5 mm)	3
Blade terminal (2.8 x 0.8 mm)	7
Blade terminal (4.8 x 0.8 mm)	8
Blade terminal (6.3 x 0.8 mm)	9

Symbols similar as in table A

6788 - H - A B C N - D - E G O P = Terminal Fuseholder

Terminal Fuseholder	Configuration key
PCB-terminal (standard)	4

6788 - H - A B C N - D - E G O P = Color

Color	Configuration key
Black	A

6788 - H - A B C N - D - E G O P = Style

Style	Configuration key
flange with countersunk holes	1

6788 - H - A B C N - D - E G O P = Dimension X

Dimension "X"	Configuration key
00	

The dimension "X" is displayed in (1/10 mm). This information is also valid for the order code

6788 - H - A B C N - D - E G O P = Features

Features	Configuration key
voltage selector with 1 fuse	6
voltage selector with 2 fuses	7

6788 - H - A B C N - D - E G O P = Latching Action Switch

Latching Action Switch	Configuration key
dead cover	1
bipolar switch, 4,8mm blade terminal, black rocker	4
bipolar switch, solder terminals, black rocker	5
bipolar switch, 4,8mm blade terminal, rocker red illuminated	6
bipolar switch, solder terminal, rocker red illuminated	7
bipolar switch, 4,8mm blade terminals, rocker green illuminated	8
bipolar switch, solder terminals, rocker green illuminated	9

## Variants

Config. Code	Description	Order Number
6788-X-CC34-A-10065	6788, IEC Power Entry Module C14, 70°C, version: 1, L: connection to switch, N: connection to switch, ground: long solder terminal (L = 8.5 mm), fuseholder: PCB-terminal (standard), color: Black, design: flange with countersunk holes, dimension X: 00, features: voltage selector with 1 fuse, bipolar switch, solder terminals, black rocker	4304.6105
6788-X-CC34-A-10074	6788, IEC Power Entry Module C14, 70°C, version: 1, L: connection to switch, N: connection to switch, ground: long solder terminal (L = 8.5 mm), fuseholder: PCB-terminal (standard), color: Black, design: flange with countersunk holes, dimension X: 00, features: voltage selector with 2 fuses, bipolar switch, 4,8mm blade terminal, black rocker	4304.6106
6788-X-CC34-A-10075	6788, IEC Power Entry Module C14, 70°C, version: 1, L: connection to switch, N: connection to switch, ground: long solder terminal (L = 8.5 mm), fuseholder: PCB-terminal (standard), color: Black, design: flange with countersunk holes, dimension X: 00, features: voltage selector with 2 fuses, bipolar switch, solder terminals, black rocker	4304.6107

The listed variants should be available from stock. Other versions on request [www.schurter.com/contact](http://www.schurter.com/contact)

**Packaging unit** 50 Pcs

## Mating Outlets/Connectors

## Category / Description

## Appliance Outlet Overview complete



IEC Appliance Outlet F, Screw-on Mounting, Front Side, Solder Terminal	4787
IEC Appliance Outlet F, Snap-in Mounting, Front Side, Solder or Quick-connect Terminal	4788
IEC Appliance Outlet F or H, Screw-on Mounting, Front Side, Solder, PCB or Quick-connect Terminal	5091
IEC Appliance Outlet F or H, Screw-on Mounting, Front Side, Solder or Quick-connect Terminal	5092

[Appliance Outlet further types to6788](#)

## Connector Overview complete



IEC Connector C15, Rewireable, Straight	0101
IEC Connector C15A, Rewireable, Straight	0102
IEC Connector C15A, Rewireable, Straight	0102-G
IEC Connector C15A, Rewireable, Angled	0112
IEC Connector C13, Rewireable, Angled	4012

[Connector further types to6788](#)

## Power Cord Overview complete



Power Cord with IEC Connector C13, Angled	0311
Power Cord with IEC Connector C13, Angled	3011
Power Cord with IEC Connector C13, Angled	3012
Power Cord with IEC Connector C13, Angled	3013
Power Cord with IEC Connector C13	3020

[Power Cord further types to6788](#)