

Metal Switch Medium Stroke, Switching Voltage up to 35 VDC



MCS ES 22

See below:

Approvals and Compliances

Description

- Vandal-proof momentary switch with a diameter of 22 mm
- Assembly by mounting with nut
- Screw terminal

Characteristics

- Housing material in high-quality stainless steel or aluminium
- Rugged design, protection against vandalism
- For use in harsh environments

References

Alternative: Other diameter [MCS ES 18](#)

Weblinks

[pdf data sheet](#), [html datasheet](#), [General Product Information](#), [CAD-Drawings](#), [Product News](#), [Detailed request for product](#)

Technical Data

Electrical Data

Contact Material Silver

Switching Voltage	min. 3 VAC/VDC max. 35 VAC/VDC
Switching current	min. 5 mA AC/DC max. 2 A AC/DC
Rated Switching Capacity	70 W AC/DC
Lifetime	200'000 actuations
Contact Resistance	< 50 mΩ
Insulation Resistance	> 1'000 MΩ
Duration of Bounce	< 10 ms

Mechanical Data

Actuating Force	4 N
Actuating Travel	1.8 mm
Lifetime	200'000 actuations
Shock Protection	IK09
Mounting screw torque	0.8 Nm

Climatical Data

Operating Temperature	-25 to 55 °C
Storage Temperature	-25 to 55 °C
IP-Protection	IP65

Material

Contact Material	Ag
Housing	Stainless Steel
Actuator unlettered	Stainless Steel

Approvals and Compliances

Detailed information on product approvals, code requirements, usage instructions and detailed test conditions can be looked up in [Details about Approvals](#)

SCHURTER products are designed for use in industrial environments. They have approvals from independent testing bodies according to national and international standards. Products with specific characteristics and requirements such as required in the automotive sector according to IATF 16949, medical technology according to ISO 13485 or in the aerospace industry can be offered exclusively with customer-specific, individual agreements by SCHURTER.



Application standards

Application standards where the product can be used

Organization	Design	Standard	Description
	Suitable for applications acc.	IEC/UL 62368-1	Audio/video, information and communication technology equipment - Part 1: Safety requirements

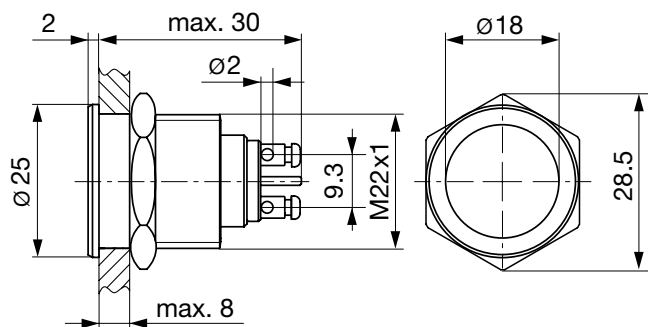
Compliances

The product complies with following Guide Lines

Identification	Details	Initiator	Description
	RoHS	SCHURTER AG	Directive RoHS 2011/65/EU, Amendment (EU) 2015/863
	REACH	SCHURTER AG	On 1 June 2007, Regulation (EC) No 1907/2006 on the Registration, Evaluation, Authorization and Restriction of Chemicals 1 (abbreviated as "REACH") entered into force.

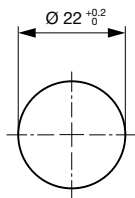
Dimension [mm]

MCS ES 22



Dimension

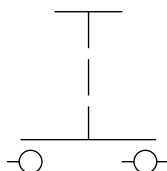
MCS ES 22



Drilling diagram

Diagrams

MCS ES 22



All Variants

Switching current	Switching Voltage	Contact Material	Shock Protection	Torsion Protection	IP Protection Class Front Side	Config. Code	Order Number
[A]	[VAC/ VDC]						
2 A	35 VAC/VDC	Ag	IK09	no	IP65	MCS ES 22	1301.9565

The nut is enclosed in the box.

Most Popular.

Availability for all products can be searched real-time: <https://www.schurter.com/en/Stock-Check/Stock-Check-SCHURTER>

Packaging unit

10 in cardboard box



- Actuating elements in ESD safe packaging
- Screw nuts in a bag (enclosed in the box)