

Mounting accessories for fuse holder



Metal Nut

Plastic Nut

See below:  
[Approvals and Compliances](#)

**Weblinks**

[pdf data sheet](#), [html datasheet](#), [General Product Information](#), [Distributor-Stock-Check](#), [Detailed request for product](#), [Microsite](#)

**Technical Data**

Admissible Ambient Air Temp.	-40 °C to 85 °C
Storage Conditions	0 °C to 60 °C, max. 70% r.h.

**Approvals and Compliances**

Detailed information on product approvals, code requirements, usage instructions and detailed test conditions can be looked up in [Details about Approvals](#)

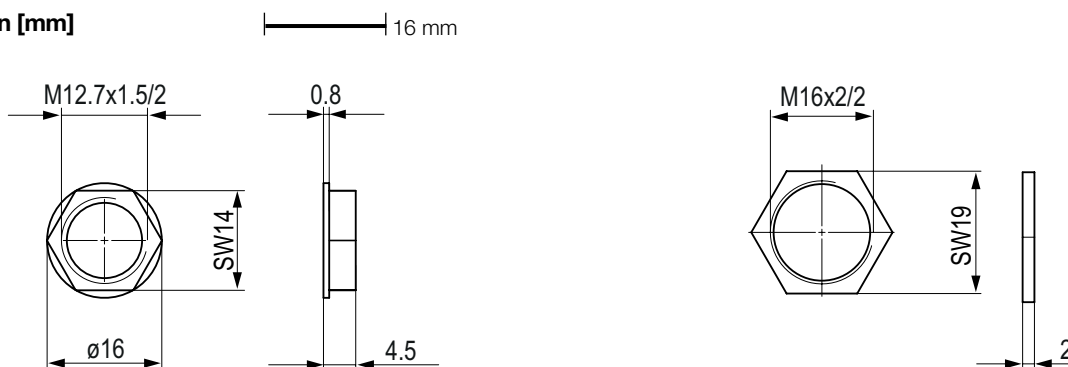
SCHURTER products are designed for use in industrial environments. They have approvals from independent testing bodies according to national and international standards. Products with specific characteristics and requirements such as required in the automotive sector according to IATF 16949, medical technology according to ISO 13485 or in the aerospace industry can be offered exclusively with customer-specific, individual agreements by SCHURTER.

**Compliances**

The product complies with following Guide Lines

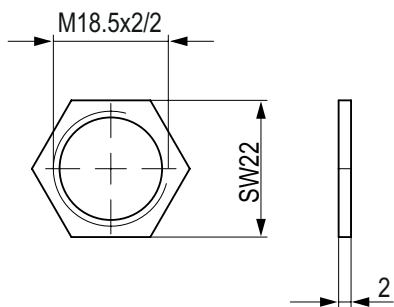
Identification	Details	Initiator	Description
	RoHS	SCHURTER AG	Directive RoHS 2011/65/EU, Amendment (EU) 2015/863
	China RoHS	SCHURTER AG	The law SJ / T 11363-2006 (China RoHS) has been in force since 1 March 2007. It is similar to the EU directive RoHS.
	REACH	SCHURTER AG	On 1 June 2007, Regulation (EC) No 1907/2006 on the Registration, Evaluation, Authorization and Restriction of Chemicals 1 (abbreviated as "REACH") entered into force.

**Dimension [mm]**



0098.0043  
 Max. torque 1.2 Nm

3-129-865  
 Max. torque 1.2 Nm



3-129-864  
 Max. torque 2.4 Nm

## All Variants

Suitable for	Designation	Material	Packaging unit [PCS]	Order Number
FEF, FEP, FEU, FIN, FO, FPG1, FPG2, SWA1 (Frontpl), SWA2 (Print)	Plastic nut M12.7 x 1.5	Plastics	100	0098.0043
FIZ, FUL	Metal nut M18.5 x 2	Brass	200	3-129-864
FEC	Metal nut M16 x 2	Brass	200	3-129-865

Availability for all products can be searched real-time: <https://www.schurter.com/en/Stock-Check/Stock-Check-SCHURTER>