

Accessory Kit



See below:
[Approvals and Compliances](#)

Description

Mounting Frame with Sealing frontside of Piezo Keypad

Weblinks

[html data sheet](#), [General Product Information](#), [CAD-Drawings](#), [Product News](#), [Detailed request for product](#)

Approvals and Compliances

Detailed information on product approvals, code requirements, usage instructions and detailed test conditions can be looked up in [Details about Approvals](#)

SCHURTER products are designed for use in industrial environments. They have approvals from independent testing bodies according to national and international standards. Products with specific characteristics and requirements such as required in the automotive sector according to IATF 16949, medical technology according to ISO 13485 or in the aerospace industry can be offered exclusively with customer-specific, individual agreements by SCHURTER.

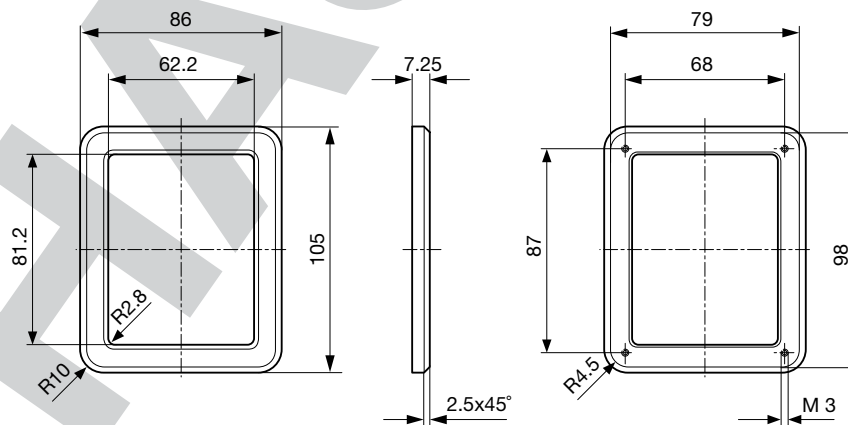
Compliances

The product complies with following Guide Lines

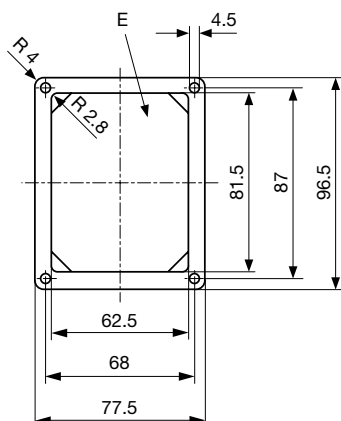
Identification	Details	Initiator	Description
REACH	REACH	SCHURTER AG	On 1 June 2007, Regulation (EC) No 1907/2006 on the Registration, Evaluation, Authorization and Restriction of Chemicals 1 (abbreviated as "REACH") entered into force.

Dimension [mm]

Mounting Frame for 12 key Piezo Keypad

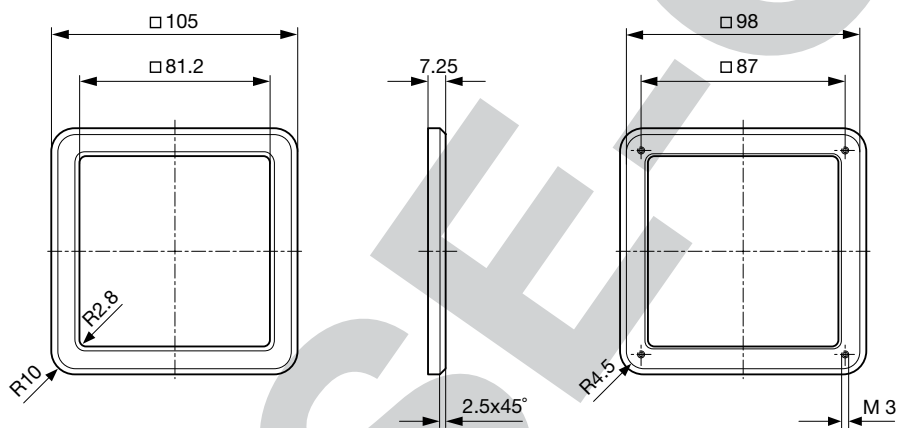


Sealing for 12 key Piezo Keypad

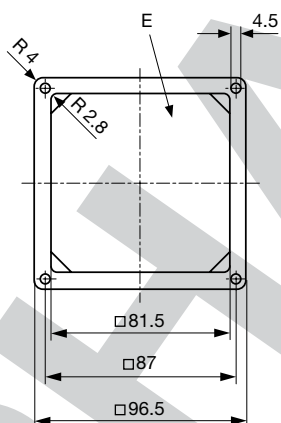


E = Inner part falls out after mounting

Mounting Frame for 16 key Piezo Keypad



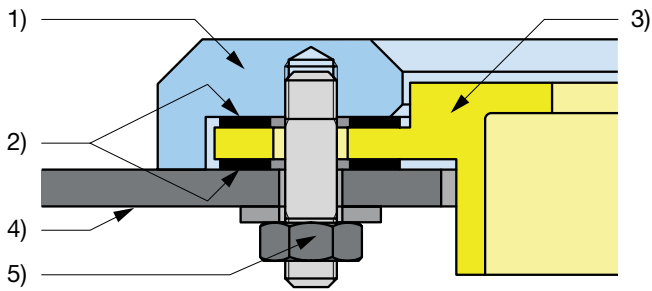
Sealing for 16 key Piezo Keypad



E = Inner part falls out after mounting

Assembly Instructions

Assembling from front side



- 1) Mounting frame
- 2) Sealing frame
- 3) Piezo keypad
- 4) Housing
- 5) Screw thread M3

optional	Bestellnummer
Accessory Kit for 12 keys Piezo Keypad	1068.1012.340
Accessory Kit for 16 keys Piezo Keypad	1068.1016.340

Availability for all products can be searched real-time: <https://www.schurter.com/en/Stock-Check/Stock-Check-SCHURTER>

Packaging unit 1