

Screw-on collar with cover, IP65



Screw-on collar with cover
1-pole, CZZ11



Screw-on collar with cover
2-pole, CZZ21



Screw-on collar with cover
3-pole, CZZ31

See below:

[Approvals and Compliances](#)

Description

- Screw-on collar with cover, IP65

References

Weblinks

[pdf data sheet](#), [html datasheet](#), [General Product Information](#), [Distributor-Stock-Check](#), [Detailed request for product](#), [Product News](#)

Approvals and Compliances

Detailed information on product approvals, code requirements, usage instructions and detailed test conditions can be looked up in [Details about Approvals](#)

SCHURTER products are designed for use in industrial environments. They have approvals from independent testing bodies according to national and international standards. Products with specific characteristics and requirements such as required in the automotive sector according to IATF 16949, medical technology according to ISO 13485 or in the aerospace industry can be offered exclusively with customer-specific, individual agreements by SCHURTER.

Application standards

Application standards where the product can be used

Organization	Design	Standard	Description
	Suitable for applications acc.	IEC/UL 62368-1	Audio/video, information and communication technology equipment - Part 1: Safety requirements

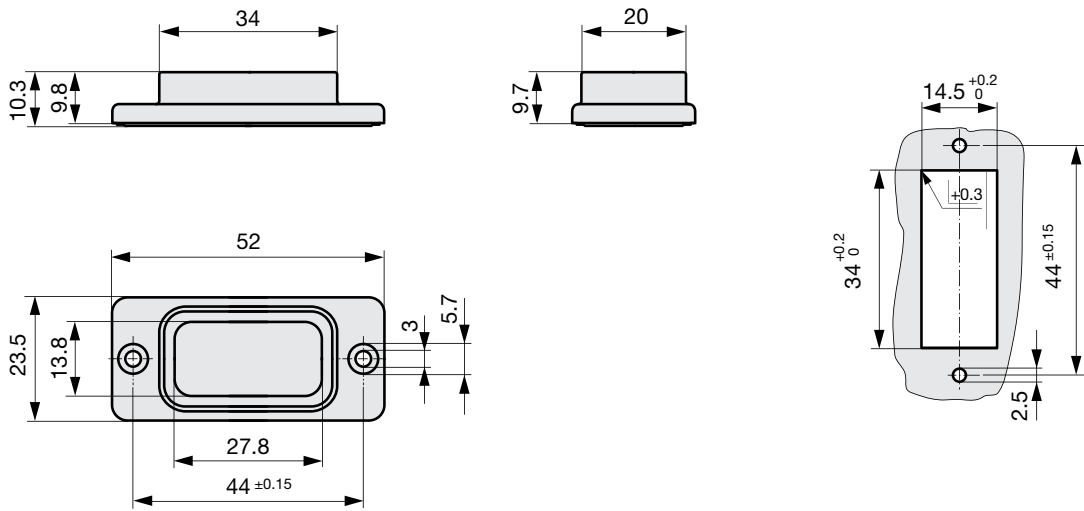
Compliances

The product complies with following Guide Lines

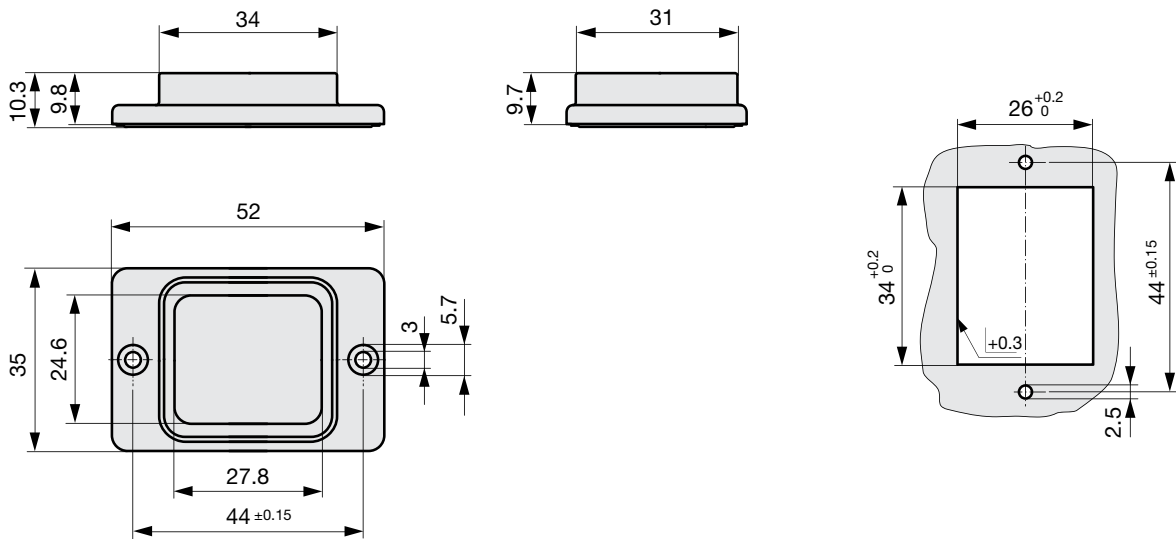
Identification	Details	Initiator	Description
	REACH	SCHURTER AG	On 1 June 2007, Regulation (EC) No 1907/2006 on the Registration, Evaluation, Authorization and Restriction of Chemicals 1 (abbreviated as "REACH") entered into force.

Dimension [mm]

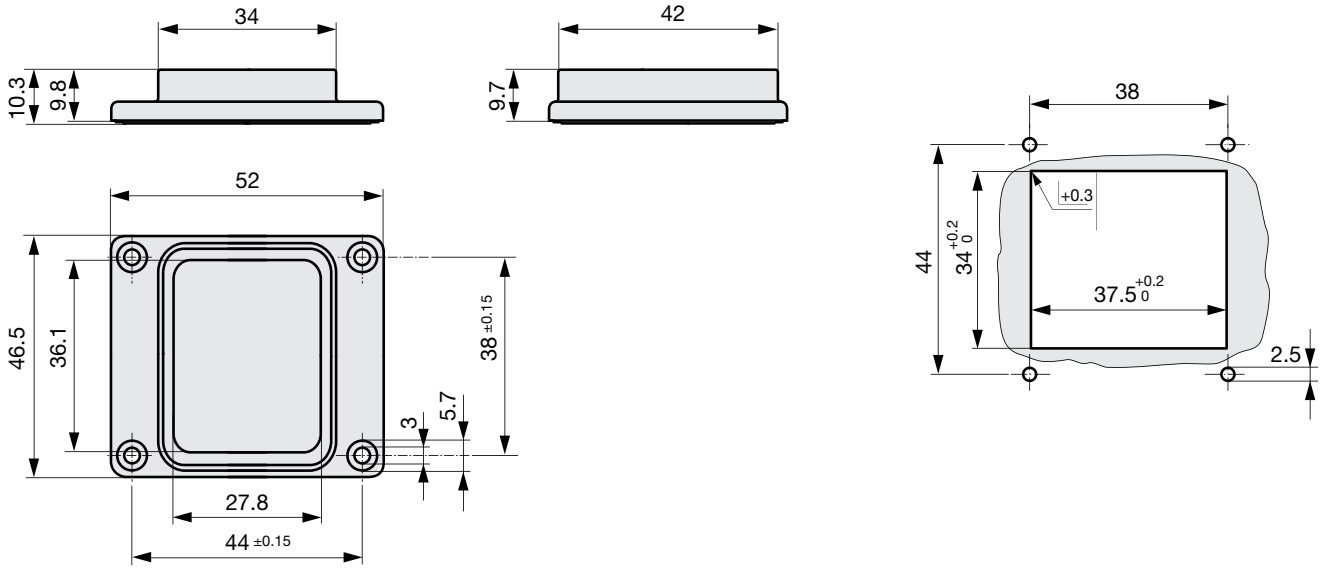
Accessories / CZZ11, Screw-on Collar with Cover, IP65



Accessories / CZZ21, Screw-on Collar with Cover, IP65



Accessories / CZZ31, Screw-on Collar with Cover, IP65



All Variants

Suitable for	Order Number
TA35 Rocker 1Pole	4435.0052
TA35 Rocker 2Pole	4435.0053
TA35 Rocker 3Pole	4435.0054

Most Popular.

Availability for all products can be searched real-time: <https://www.schurter.com/en/info-center/support-tools/stock-check-distributors>

Packaging Unit 100 Pcs