

1-stage filter with 3-phase CEE connector



See below:

**Approvals and Compliances**

**Description**

- 3 Phase CEE Connector with Filter
- Easy and time saving handling

**Unique Selling Proposition**

- First CEE power entry module with EMC filter
- Easy prewired solution
- Universal flange for front or rear mounting
- Optimal filter position direct on the power entry

**Applications**

- Protection against interference voltage from the mains
- Possible interferences generated in the equipment are strongly attenuated
- Suitable for equipment with detachable power cord
- Last order date: 30.03.2025
- Last delivery date: 30.06.2025

**Weblinks**

[pdf data sheet](#), [html datasheet](#), [General Product Information](#), [Approvals](#), [Distributor-Stock-Check](#), [Detailed request for product](#), [Microsite](#)

**Technical Data**

|                         |                                 |                       |   |
|-------------------------|---------------------------------|-----------------------|---|
| Rated Current           | 16 - 32A @ Ta 40°C              | Mounting              | Screw-on mounting on chassis                                      |
| Rated voltage           | 277/480VAC, 50/60 Hz            | Terminal              | Screw clamps  |
| Approval for            | 16 - 32A / 277/480VAC           | Operating Temperature | -40°C to 85°C   |
| Overload Current        | 1.5 x Ir for 1 minute, per hour | Climatic Category     | 40/085/21 acc. to IEC 60068-1                                     |
| Leakage Current         | industrial < 10mA (440V / 50Hz) | Degree of Protection  | IP20 acc. to IEC 60529  |
| Dielectric Strength     | 277/480VAC:                     | Protection Class      | Suitable for appliances with protection class I acc. to IEC 61140 |
|                         | 2.25kVDC between L-L            | MTBF                  | > 200'000h acc. to MIL-HB-217 F                                   |
|                         | 1.7kVDC between L-N             |                       |   |
|                         | 3kVDC between L-PE              |                       |   |
|                         | Test voltage 2 sec              |                       |   |
| Number of Filter Stages | 1-stage                         |                       |   |
| Weight                  | 1.4kg                           |                       |   |
| Material: Housing       | Metal                           |                       |   |
| Sealing Compound        | UL 94V-0                        |                       |   |

**Approvals and Compliances**

Detailed information on product approvals, code requirements, usage instructions and detailed test conditions can be looked up in [Details about Approvals](#)

SCHURTER products are designed for use in industrial environments. They have approvals from independent testing bodies according to national and international standards. Products with specific characteristics and requirements such as required in the automotive sector according to IATF 16949, medical technology according to ISO 13485 or in the aerospace industry can be offered exclusively with customer-specific, individual agreements by SCHURTER.

**Approvals**

The approval mark is used by the testing authorities to certify compliance with the safety requirements placed on electronic products.

Approval Reference Type: FMAD CEE

| Approval Logo | Certificates                    | Certification Body | Description                    |
|---------------|---------------------------------|--------------------|--------------------------------|
|               | <a href="#">SEMKO Approvals</a> | SEMKO              | Certificate Number: SE/09137-4 |
|               | <a href="#">UL Approvals</a>    | UL                 | UR File Number: E72928         |






**Application standards**

Application standards where the product can be used

| Organization | Design                         | Standard       | Description   |
|--------------|--------------------------------|----------------|---|
|              | Suitable for applications acc. | IEC/UL 62368-1 | Audio/video, information and communication technology equipment - Part 1: Safety requirements |

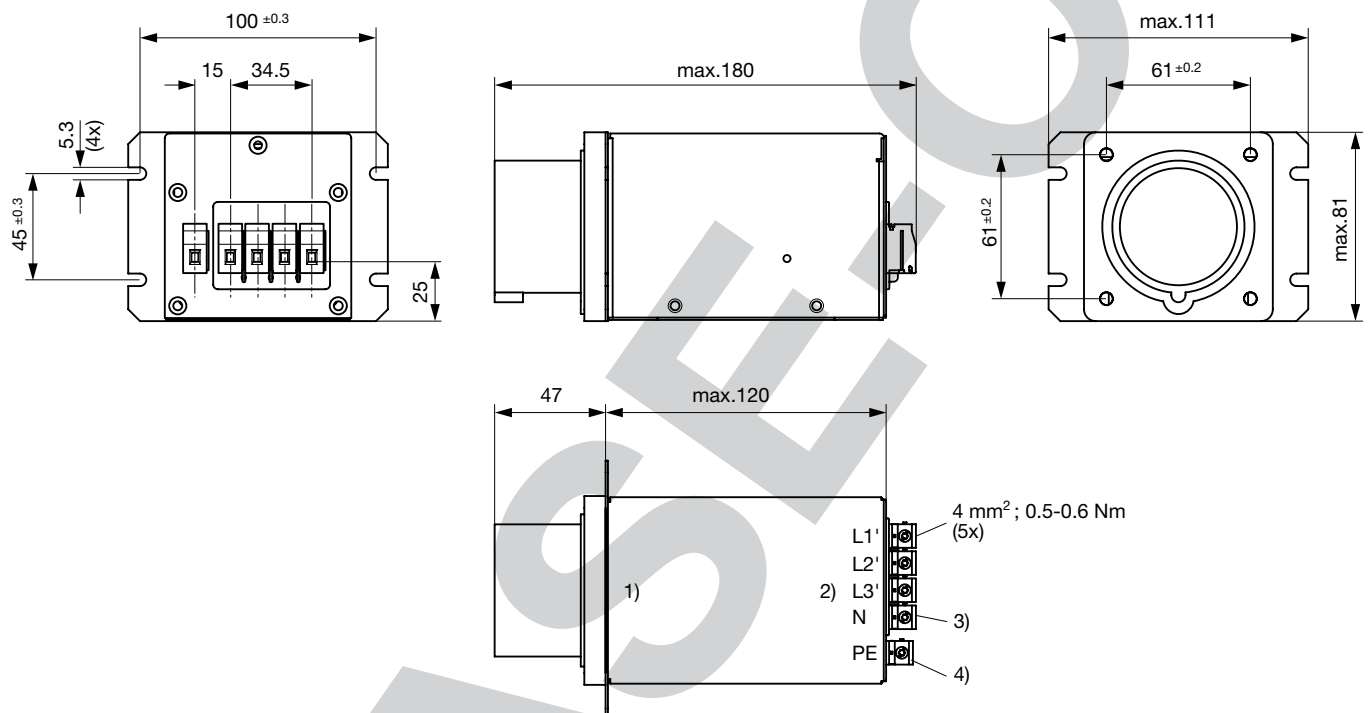
**Compliances**

The product complies with following Guide Lines

| Identification   | Details  | Initiator   | Description   |
|--|--|-------------|---|
|  | <a href="#">CE declaration of conformity</a>   | SCHURTER AG | The CE marking declares that the product complies with the applicable requirements laid down in the harmonisation of Community legislation on its affixing in accordance with EU Regulation 765/2008. |
|  | <a href="#">UKCA declaration of conformity</a> | SCHURTER AG | The UKCA marking declares that the product complies with the applicable requirements laid down in the British Amendment of Regulation (EC) 765/2008.  |
|  | RoHS   | SCHURTER AG | Directive RoHS 2011/65/EU, Amendment (EU) 2015/863  |
|  | China RoHS                                     | SCHURTER AG | The law SJ / T 11363-2006 (China RoHS) has been in force since 1 March 2007. It is similar to the EU directive RoHS.  |
|  | REACH  | SCHURTER AG | On 1 June 2007, Regulation (EC) No 1907/2006 on the Registration, Evaluation, Authorization and Restriction of Chemicals 1 (abbreviated as "REACH") entered into force.                               |

**Dimension [mm]**

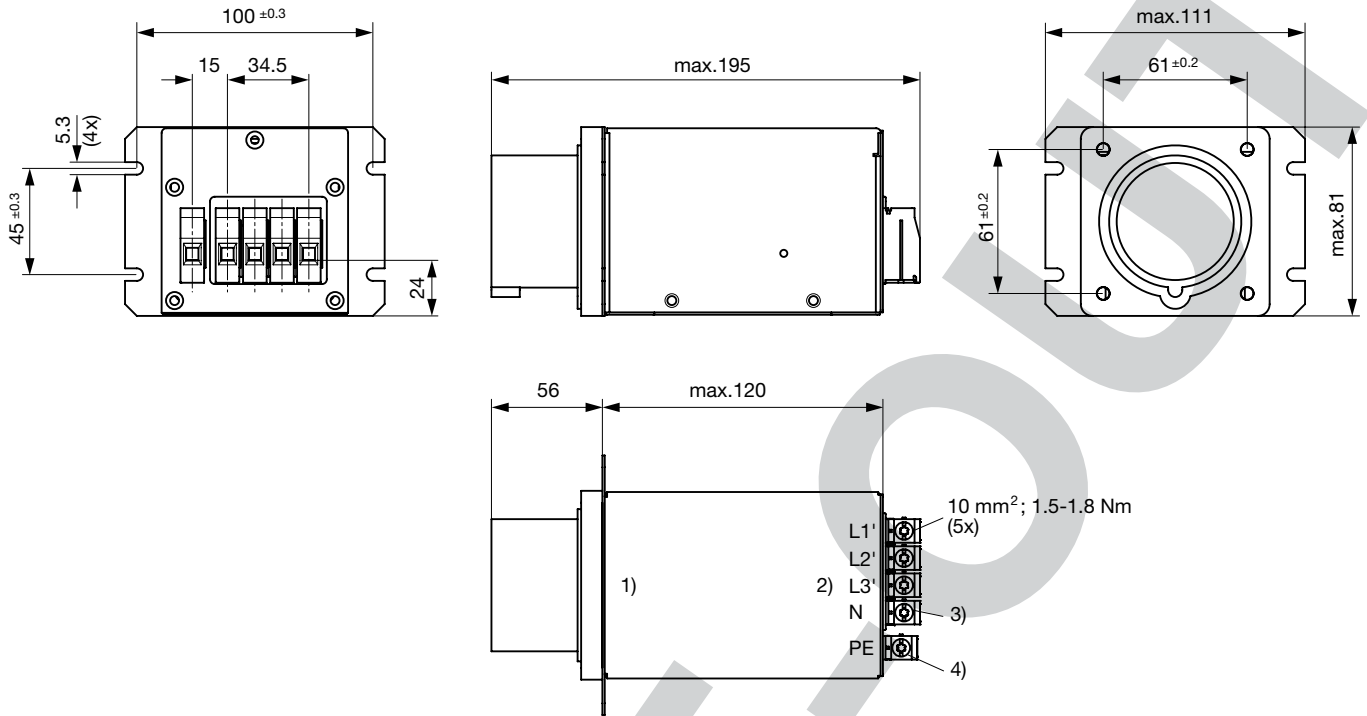
Case QT1



- 1) Line
- 2) Load
- 3) Blue
- 4) Yellow-Green

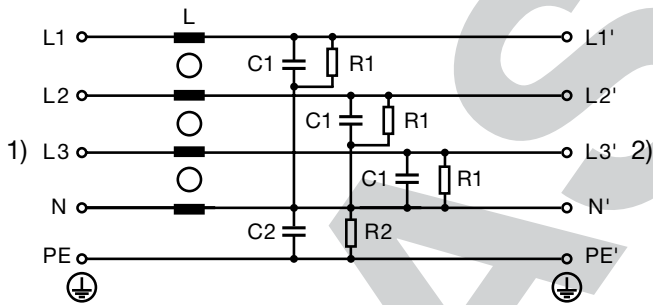
PFA

Case QT3



- 1) Line
- 2) Load
- 3) Blue
- 4) Yellow-Green

Diagrams

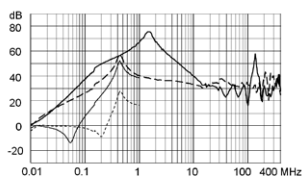
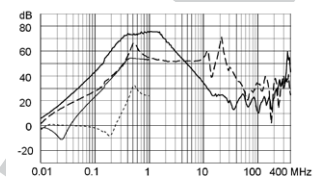


- 1) Line
- 2) Load

**Attenuation Loss** . . . . 0.1/100Ω differential mode ..... 100/0.1Ω differential mode - - - 50Ω differential mode \_\_\_\_ 50Ω common mode  
 Industrial version

16 A

30 / 32 A



**Variants**

| Rated Current @ Ta<br>50°C (40°C) [A] | Rated Voltage [VAC] | Powerloss @ 25°C,<br>50Hz [W] | Leakage<br>Current @<br>400VAC, 50Hz | Weight [kg] | Screw clamps<br>[mm2] 2) | Housing | Packaging<br>unit | Order Number      |
|---------------------------------------|---------------------|-------------------------------|--------------------------------------|-------------|--------------------------|---------|-------------------|-------------------|
| 16                                    | 240/415             | 5.6                           | 10                                   | 1.3 kg      | 4                        | QT1     | 1                 | FMAD-T4QT-1660.EU |
| 30                                    | 277/480             | 4.3                           | 10                                   | 1.4 kg      | 10                       | QT3     | 1                 | FMAD-T4QT-3060.US |
| 32                                    | 240/415             | 4.9                           | 10                                   | 1.4 kg      | 10                       | QT3     | 1                 | FMAD-T4QT-3260.EU |

Availability for all products can be searched real-time: <https://www.schurter.com/en/info-center/support-tools/stock-check-distributors>

1) Leakage current according IEC 60939-1

2) Maximum conductor cross section (wire gauge) to be used; a comparative table for AWG and mm² values can be found in the general product information <https://www.schurter.com/en/FAQ#10>

PHASE-0